

Catalog

Optyma™ Cooler

Efficient unit coolers for Walk-in Coolers and Freezers

U.S. DOE and Canada NRCAN compliant models



Efficient, easy to install, compact, quiet solution	4
Nomenclature	5
Features and Benefits.....	6
Low Profile Unit Coolers.....	7
Air Defrost	7
Performance data.....	7
Unit specifications.....	7
Electric Defrost	8
Performance data.....	8
Unit specifications	8
Physical data	9
Dimensions	10
Spare parts.....	11
Wiring diagram	12
Medium Profile Unit Coolers.....	18
Air Defrost	18
Performance data.....	18
Unit specifications.....	18
Electric Defrost	19
Performance data.....	19
Unit specifications.....	20
Physical data	21
Dimensions	22
Spare parts.....	23
Wiring diagram	24
High Profile Unit Coolers.....	27
Air Defrost	27
Performance data.....	27
Unit specifications.....	27
Electric Defrost	28
Performance data.....	28
Unit specifications.....	29
Physical data	30
Dimensions	31
Spare parts.....	32
Wiring diagram	33



Quick and easy setup, installation and servicing

Hinged doors provide rear, easy access and room to make refrigerant line and electrical box connections. Highly secure, robust, stainless-steel front and back slotted mounting brackets speed installation. Plastic coated, steel fan motor guards with pre-balanced blades and only 4 screws to permit quick service when needed. Robust drain pan fitting fixed from the factory.



Well-known Danfoss quality and industry leading up to 3 year warranty

All Optyma™ **Cooler** units are tested and shipped with low pressure air to ensure a leak-free system upon arrival at the install site.



Efficient, quiet solution

The Optyma™ **Cooler** uses a highly efficient, quiet, variable speed capable EC fan motor. The cooler utilizes cross rifled heat exchanger tubing with a corrugated fin design for higher efficiency. Unique embedded electric defrost coil design provides faster defrost with less energy consumption.



Compact and light for easy handling and transportation

System designed to perfectly fit into compact spaces saving vital room for stored goods.



The Danfoss Coolselector®2 app optimizes system design

Fast and easy system optimization enables a full walk-in room control solution providing peace of mind for contractors and end users. Pair the Optyma™ **Cooler** with other trusted Danfoss solution components such as the Optyma™ indoor/outdoor condensing units and Optyma™ Control room controller.



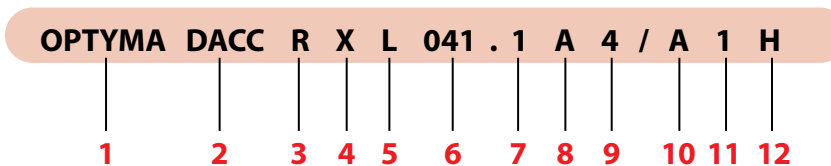
Tailored for durable, long-term use

The Danfoss Optyma™ **Cooler** cabinet utilizes a smooth Aluminum/Magnesium (Al/Mg) alloy with 60 microns of highly durable powder coating making the surface extremely cleanable and extends the lifetime.



For more information, please refer to Coolselector® at coolselector.danfoss.com or contact Danfoss

Danfoss Optyma™ Cooler Unit Cooler Nomenclature



1	Product Family Optyma
2	Model Type DACC = Cubic
3	Refrigerant Group R = R404A, R507A, R448A, R449A
4	Feed Type X = DX
5	Model Size L - Low Profile M - Medium Profile H - High Profile
6	Nominal Capacity BTU/hr / 100
7	Version 1
8	Fin Material A - Aluminum
9	Fin Spacing 4 - 4mm (6 FPI) 6 - 6mm (4 FPI)
10	Defrost Type A - Air E - Electric
11	Voltage 1 - 1/230/50-60 2 - 3/380-480/50-60
12	Optimization H - for Medium Profile and High Profile models Blank - Low Profile

Main product features

Connection



- Hinged doors provide rear, easy access and room to make connections
- 100% factory leak checked and shipped with low pressure air to ensure integrity upon arrival at the install site

Fan



- 0 - 100% variable speed capable EC fan motor (0-10 VDC signal)
- Quiet, efficient solution
- Plastic coated steel fan guard
- 4 screws for fast, easy fan motor change with pre-balanced fan blades

Drain



- Extra robust 3/4" NPT drain pan fitting fixed from the factory

Chassis



- Smooth, Al/Mg alloy cabinet with 60 micron powder coating for easy cleanability and durability
- Easy fold down drain pan for maintenance
- Wide capacity range for both cooler and freezer applications including 4 and 6 FPI
- Internal pathway provided for contractor installed liquid line solenoid valve and EXV wiring

Coolselector®2 app



- Fast and easy system optimization to enable a full walk-in room control solution providing peace of mind for contractors and end users
- Efficient pairing with other trusted Danfoss solution components such as indoor/outdoor condensing units, room controller, TXVs, EXVs and liquid line solenoid valves

Low Profile Unit Coolers Air Defrost

Performance data

Application Capacity: Medium Temperature - 60 Hz - 6 FPI

Code Number	Model	R448A/R449A			R404A/R507A			Inlet in	Outlet in
		Application Capacity		AWEF	Application Capacity		AWEF		
		10°F TD / 25°F SST	6°C TD / -4°C SST		10°F TD / 25°F SST	6°C TD / -4°C SST			
		BTU/hr	Watts		BTU/hr	Watts			
114U0000	Optyma DACC RX L050.1A4/A1	6,340	1,850	9.45	4,350	1,270	9.45	1/2	5/8
114U0001	Optyma DACC RX L070.1A4/A1	8,740	2,560	9.45	6,040	1,760	9.45	1/2	5/8
114U0002	Optyma DACC RX L100.1A4/A1	12,730	3,720	9.45	8,740	2,560	9.45	1/2	5/8
114U0003	Optyma DACC RX L141.1A4/A1	17,700	5,180	9.45	12,210	3,570	9.45	1/2	5/8
114U0004	Optyma DACC RX L150.1A4/A1	19,120	5,600	9.45	13,120	3,840	9.45	1/2	5/8
114U0005	Optyma DACC RX L210.1A4/A1	25,640	7,510	9.45	17,970	5,260	9.45	1/2	5/8
114U0006	Optyma DACC RX L282.1A4/A1	36,250	10,620	9.45	24,850	7,280	9.45	1/2	7/8
114U0007	Optyma DACC RX L305.1A4/A1	39,490	11,570	9.45	26,960	7,890	9.45	1/2	7/8
114U0008	Optyma DACC RX L354.1A4/A1	44,570	13,050	9.45	30,720	9,000	9.45	1/2	7/8
114U0009	Optyma DACC RX L380.1A4/A1	48,770	14,280	9.45	33,380	9,780	9.45	1/2	7/8

Unit specifications

Medium Temperature - 60 Hz - 6 FPI

Code Number	Model	HP	No. of Fans	Air Flow Data		EC Motor				
						200 - 240 V / 1Ph / 50-60 Hz				
				CFM	m ³ /hr	FLA/Fan ⁽¹⁾	Total FLA ⁽¹⁾	Total Watts ⁽¹⁾	MCA	MOPD
114U0000	Optyma DACC RX L050.1A4/A1	1/20	1	730	1,225	0.5	0.5	40	0.56	15
114U0001	Optyma DACC RX L070.1A4/A1	1/20	1	730	1,225	0.6	0.6	55	0.78	15
114U0002	Optyma DACC RX L100.1A4/A1	1/20	2	1,450	2,450	0.5	0.9	80	1.01	15
114U0003	Optyma DACC RX L141.1A4/A1	1/20	2	1,450	2,450	0.6	1.2	110	1.40	15
114U0004	Optyma DACC RX L150.1A4/A1	1/20	3	2,170	3,675	0.5	1.4	120	1.46	15
114U0005	Optyma DACC RX L210.1A4/A1	1/20	3	2,170	3,675	0.6	1.9	165	2.02	15
114U0006	Optyma DACC RX L282.1A4/A1	1/20	4	2,890	4,900	0.6	2.5	220	2.64	15
114U0007	Optyma DACC RX L305.1A4/A1	1/20	4	2,770	4,700	0.7	2.6	240	2.76	15
114U0008	Optyma DACC RX L354.1A4/A1	1/20	5	3,610	6,125	0.6	3.1	275	3.26	15
114U0009	Optyma DACC RX L380.1A4/A1	1/20	5	3,460	5,875	0.7	3.3	300	3.41	15

⁽¹⁾ Nominal values based on 230V power supply

Note: Capacities shown are Application Capacities reflecting nominal operation at 10°F TD

Low Profile Unit Coolers Electric Defrost

Performance data

Application Capacity: Medium Temperature - 60 Hz - 6 FPI (Cooler)

Code Number	Model	R448A/R449A			R404A/R507A			Inlet	Outlet
		Application Capacity		AWEF	Application Capacity		AWEF		
		10°F TD / 25°F SST	6°C TD / -4°C SST		10°F TD / 25°F SST	6°C TD / -4°C SST		in	in
114U0010	Optyma DACC RX L041.1A4/E1	6,340	1,850	9.45	4,350	1,270	9.45	1/2	5/8
114U0011	Optyma DACC RX L063.1A4/E1	9,270	2,710	9.45	6,390	1,870	-	1/2	5/8
114U0012	Optyma DACC RX L084.1A4/E1	12,730	3,720	9.45	8,740	2,560	9.45	1/2	5/8
114U0013	Optyma DACC RX L123.1A4/E1	18,690	5,470	9.45	-	-	-	1/2	7/8
114U0014	Optyma DACC RX L127.1A4/E1	19,120	5,600	9.45	13,120	3,840	9.45	1/2	7/8
114U0015	Optyma DACC RX L186.1A4/E1	27,700	8,110	9.45	19,050	5,580	-	1/2	1 1/8
114U0016	Optyma DACC RX L233.1A4/E1	36,640	10,730	9.45	25,130	7,360	-	1/2	1 1/8
114U0017	Optyma DACC RX L260.1A4/E1	39,990	11,710	9.45	27,300	7,990	9.45 ⁽¹⁾	1/2	1 1/8
114U0018	Optyma DACC RX L315.1A4/E1	46,230	13,540	9.45	32,040	9,380	-	1/2	1 3/8

Application Capacity: Low Temperature - 60 Hz - 6 FPI (Freezer)

Code Number	Model	R448A/R449A			R404A/R507A			Inlet	Outlet
		Application Capacity		AWEF	Application Capacity		AWEF		
		10°F TD / -20°F SST	6°C TD / -29°C SST		10°F TD / -20°F SST	6°C TD / -29°C SST		in	in
114U0010	Optyma DACC RX L041.1A4/E1	4,580	1,340	4.14	3,490	1,020	4.14	1/2	5/8
114U0011	Optyma DACC RX L063.1A4/E1	6,970	2,040	4.16	5,280	1,540	4.16	1/2	5/8
114U0012	Optyma DACC RX L084.1A4/E1	9,290	2,720	4.18	7,060	2,060	4.18	1/2	5/8
114U0013	Optyma DACC RX L123.1A4/E1	14,130	4,140	4.22	10,650	3,120	4.22	1/2	7/8
114U0014	Optyma DACC RX L127.1A4/E1	14,110	4,130	4.22	10,650	3,120	4.22	1/2	7/8
114U0015	Optyma DACC RX L186.1A4/E1	20,430	5,980	4.28	15,480	4,530	4.28	1/2	1 1/8
114U0016	Optyma DACC RX L233.1A4/E1	25,330	7,420	4.33	19,440	5,690	4.33	1/2	1 1/8
114U0017	Optyma DACC RX L260.1A4/E1	28,020	8,200	4.35	21,390	6,260	4.35	1/2	1 1/8
114U0018	Optyma DACC RX L315.1A4/E1	35,230	10,320	4.35	26,620	7,790	4.35	1/2	1 3/8

⁽¹⁾ This Cooler model is not AWEF compliant when using R507A at the given conditions.
- This Cooler model is not AWEF compliant

Unit specifications

Low Temperature: 60 Hz - 6 FPI (Cooler or Freezer)

Code Number	Model	Fan Motor HP	No. of Fans	Air Flow Data		EC Motor					Heaters (Coil & Tray)			
						200 - 240 V / 1Ph / 50-60 Hz					230 V / 1 Ph / 60 Hz			
				CFM	m ³ /hr	FLA/ Fan ⁽¹⁾	Total FLA ⁽¹⁾	Total Watts ⁽¹⁾	MCA	MOPD	No. of Coil Heaters	No. of Tray Heaters	Total Amps ⁽¹⁾	Total Watts ⁽¹⁾
114U0010	Optyma DACC RX L041.1A4/E1	1/20	1	730	1,225	0.5	0.5	40	0.6	15	4	2	4.7	1,080
114U0011	Optyma DACC RX L063.1A4/E1	1/20	1	740	1,250	0.6	0.6	55	0.8	15	7	2	7.0	1,620
114U0012	Optyma DACC RX L084.1A4/E1	1/20	2	1,450	2,450	0.5	0.9	80	1.0	15	5	2	9.1	2,100
114U0013	Optyma DACC RX L123.1A4/E1	1/20	2	1,480	2,500	0.6	1.2	110	1.4	15	8	2	13.0	3,000
114U0014	Optyma DACC RX L127.1A4/E1	1/20	3	2,170	3,675	0.5	1.4	120	1.5	15	5	2	13.7	3,150
114U0015	Optyma DACC RX L186.1A4/E1	1/20	3	2,210	3,750	0.6	1.9	165	2.0	15	8	2	19.6	4,500
114U0016	Optyma DACC RX L233.1A4/E1	1/20	4	2,950	5,000	0.6	2.5	220	2.6	15	8	2	26.1	6,000
114U0017	Optyma DACC RX L260.1A4/E1	1/20	4	2,830	4,800	0.7	2.6	240	2.8	15	9	2	28.7	6,600
114U0018	Optyma DACC RX L315.1A4/E1	1/20	5	3,680	6,250	0.6	3.1	275	3.3	15	8	2	30.4	7,000

⁽¹⁾ Nominal values based on 230V power supply

Note: Capacities shown are Application Capacities reflecting nominal operation at 10°F TD

Low Profile Unit Coolers Physical data
Air Defrost - 60 Hz - 6 FPI

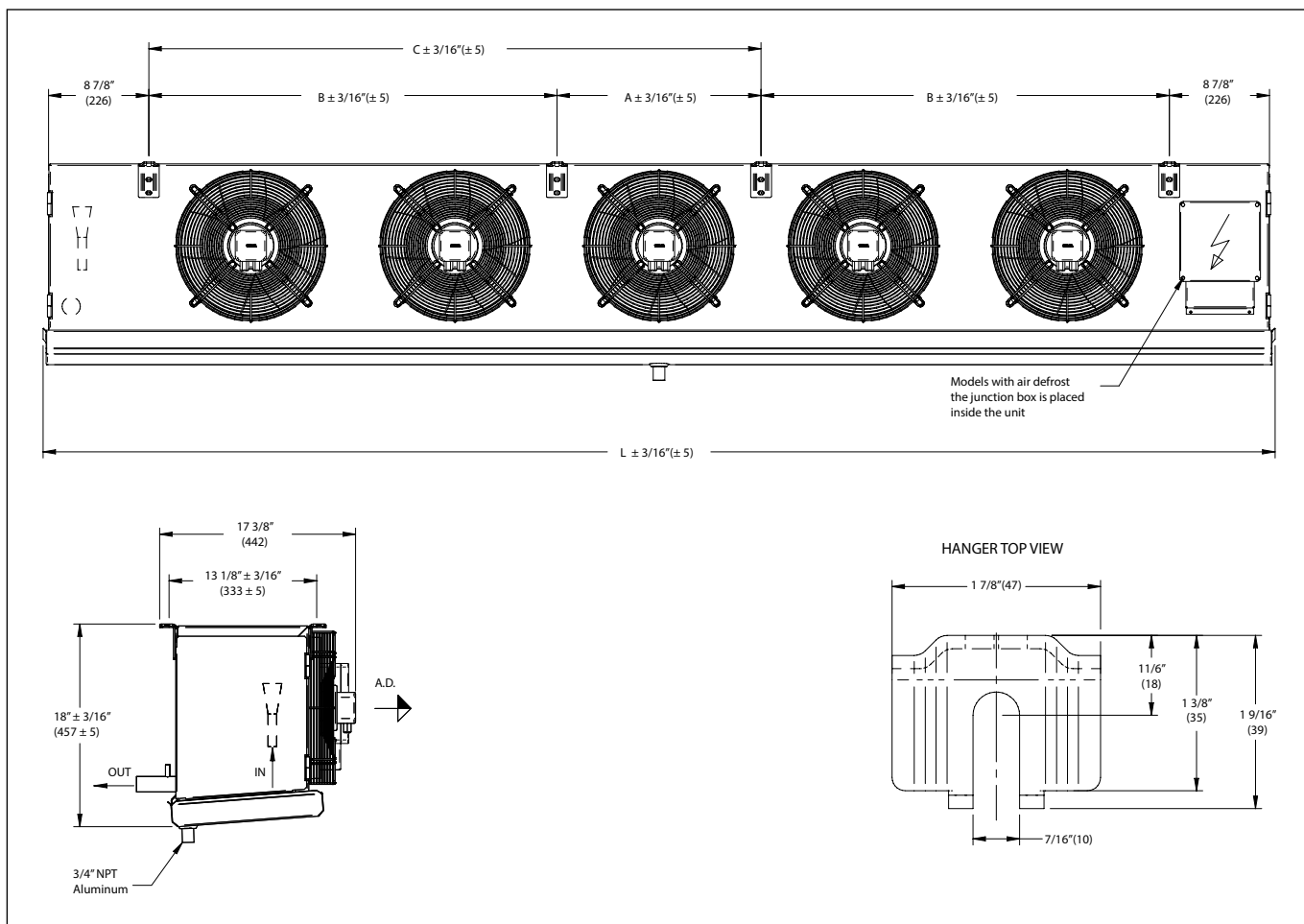
Code Number	Model	No. of Fans	Coil		Drain NPT	Net Weight	
			inlet OD	outlet OD		lbs	kg
			in.	in.	in.		
114U0000	Optyma DACC RX L050.1A4/A1	1	1/2	5/8	3/4	48	22
114U0001	Optyma DACC RX L070.1A4/A1	1	1/2	5/8	3/4	53	24
114U0002	Optyma DACC RX L100.1A4/A1	2	1/2	5/8	3/4	72	33
114U0003	Optyma DACC RX L141.1A4/A1	2	1/2	5/8	3/4	81	37
114U0004	Optyma DACC RX L150.1A4/A1	3	1/2	5/8	3/4	97	44
114U0005	Optyma DACC RX L210.1A4/A1	3	1/2	5/8	3/4	109	50
114U0006	Optyma DACC RX L282.1A4/A1	4	1/2	7/8	3/4	138	63
114U0007	Optyma DACC RX L305.1A4/A1	4	1/2	7/8	3/4	146	67
114U0008	Optyma DACC RX L354.1A4/A1	5	1/2	7/8	3/4	170	77
114U0009	Optyma DACC RX L380.1A4/A1	5	1/2	7/8	3/4	180	82

Electric Defrost - 60 Hz - 6 FPI

Code Number	Model	No. of Fans	Coil		Drain NPT	Net Weight ⁽¹⁾	
			inlet OD	outlet OD		lbs	kg
			in.	in.	in.		
114U0010	Optyma DACC RX L041.1A4/E1	1	1/2	5/8	3/4	54	25
114U0011	Optyma DACC RX L063.1A4/E1	1	1/2	5/8	3/4	63	29
114U0012	Optyma DACC RX L084.1A4/E1	2	1/2	5/8	3/4	84	38
114U0013	Optyma DACC RX L123.1A4/E1	2	1/2	7/8	3/4	98	45
114U0014	Optyma DACC RX L127.1A4/E1	3	1/2	7/8	3/4	113	52
114U0015	Optyma DACC RX L186.1A4/E1	3	1/2	1 1/8	3/4	132	60
114U0016	Optyma DACC RX L233.1A4/E1	4	1/2	1 1/8	3/4	167	76
114U0017	Optyma DACC RX L260.1A4/E1	4	1/2	1 1/8	3/4	178	81
114U0018	Optyma DACC RX L315.1A4/E1	5	1/2	1 3/8	3/4	205	93

⁽¹⁾Including heaters

Low Profile Unit Coolers Dimensions



Air Defrost - 60 Hz - 6 FPI

Code Number	Air defrost Model	Fan qty.	Qty. of fixing points	L		A		B		C		Weight	
				in.	mm	in.	mm	in.	mm	in.	mm	lb	kg
114U0000	DACC RX L050.1A4/A1	1	4	36 7/8	937	18 1/8	460	X	X	X	X	49	22
114U0001	DACC RX L070.1A4/A1	1	4	36 7/8	937	18 1/8	460	X	X	X	X	53	24
114U0002	DACC RX L100.1A4/A1	2	4	55	1397	X	X	36 1/4	920	X	X	73	33
114U0003	DACC RX L141.1A4/A1	2	4	55	1397	X	X	36 1/4	920	X	X	82	37
114U0004	DACC RX L150.1A4/A1	3	4	73 1/8	1857	X	X	X	X	54 5/16	1380	97	44
114U0005	DACC RX L210.1A4/A1	3	4	73 1/8	1857	X	X	X	X	54 5/16	1380	110	50
114U0006	DACC RX L282.1A4/A1	4	6	91 1/4	2317	X	X	36 1/4	920	X	X	139	63
114U0007	DACC RX L305.1A4/A1	4	6	91 1/4	2317	X	X	36 1/4	920	X	X	148	67
114U0008	DACC RX L354.1A4/A1	5	8	109 5/16	2777	18 1/8	460	36 1/4	920	X	X	170	77
114U0009	DACC RX L380.1A4/A1	5	8	109 5/16	2777	18 1/8	460	36 1/4	920	X	X	181	82

Electric Defrost - 60 Hz - 6 FPI

Code Number	Electric defrost Model	Fan qty.	Qty. of fixing points	L		A		B		C		Weight	
				in.	mm	in.	mm	in.	mm	in.	mm	lb	kg
114U0010	DACC RX L041.1A4/E1	1	4	36 7/8	937	18 1/8	460	X	X	X	X	53	24
114U0011	DACC RX L063.1A4/E1	1	4	36 7/8	937	18 1/8	460	X	X	X	X	62	28
114U0012	DACC RX L084.1A4/E1	2	4	55	1397	X	X	36 1/4	920	X	X	84	38
114U0013	DACC RX L123.1A4/E1	2	4	55	1397	X	X	36 1/4	920	X	X	97	44
114U0014	DACC RX L127.1A4/E1	3	4	73 1/8	1857	X	X	X	X	54 5/16	1380	112	51
114U0015	DACC RX L186.1A4/E1	3	4	73 1/8	1857	X	X	X	X	54 5/16	1380	132	60
114U0016	DACC RX L233.1A4/E1	4	6	91 1/4	2317	X	X	36 1/4	920	X	X	168	76
114U0017	DACC RX L260.1A4/E1	4	6	91 1/4	2317	X	X	36 1/4	920	X	X	179	81
114U0018	DACC RX L315.1A4/E1	5	8	109 1/3	2777	18 1/8	460	36 1/4	920	X	X	205	93

⁽¹⁾ Imperial units rounded to nearest 1/16"

⁽²⁾ Center line to center line of mounting brackets

Low Profile Unit Coolers Spare parts

Air Defrost - 60 Hz - 6 FPI

Code Number	Nomenclature	Fan	
		Code	Quantity
114U0000	Optyma DACC RX L050.1A4/A1	119-8937	1
114U0001	Optyma DACC RX L070.1A4/A1	119-8937	1
114U0002	Optyma DACC RX L100.1A4/A1	119-8937	2
114U0003	Optyma DACC RX L141.1A4/A1	119-8937	2
114U0004	Optyma DACC RX L150.1A4/A1	119-8937	3
114U0005	Optyma DACC RX L210.1A4/A1	119-8937	3
114U0006	Optyma DACC RX L282.1A4/A1	119-8937	4
114U0007	Optyma DACC RX L305.1A4/A1	119-8937	4
114U0008	Optyma DACC RX L354.1A4/A1	119-8937	5
114U0009	Optyma DACC RX L380.1A4/A1	119-8937	5

Electric Defrost - 60 Hz - 6 FPI

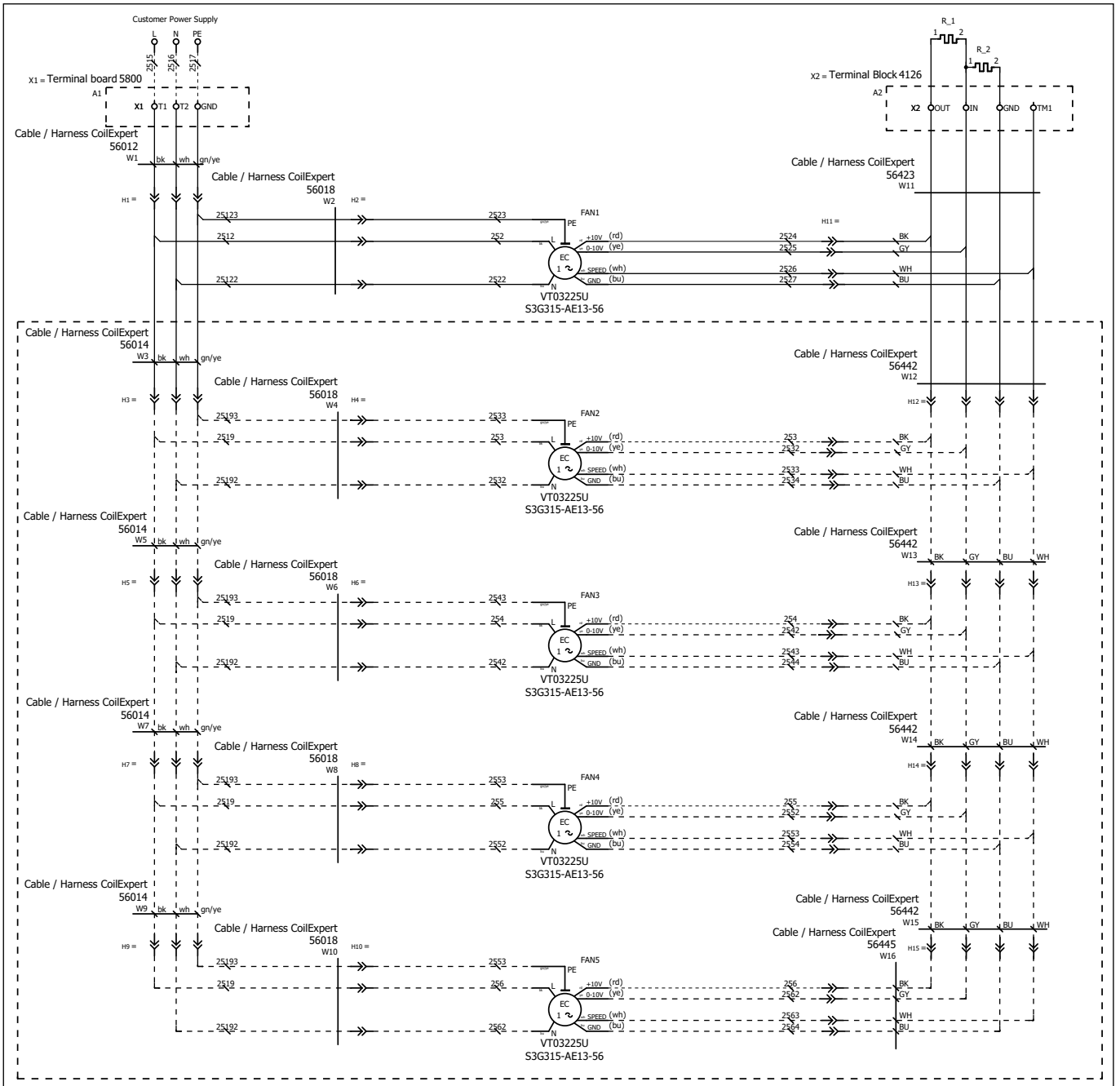
Code Number	Nomenclature	Fan		Coil Heater		Tray Heater		DTFD ⁽¹⁾		HL ⁽²⁾	
		Code	Quantity	Code	Quantity	Code	Quantity	Code	Quantity	Code	Quantity
114U0010	Optyma DACC RX L041.1A4/E1	119-8937	1	119-8938	4	119-8938	2	119-8992	1	119-8993	1
114U0011	Optyma DACC RX L063.1A4/E1	119-8937	1	119-8938	7	119-8938	2	119-8992	1	119-8993	1
114U0012	Optyma DACC RX L084.1A4/E1	119-8937	2	119-8940	5	119-8940	2	119-8992	1	119-8993	1
114U0013	Optyma DACC RX L123.1A4/E1	119-8937	2	119-8940	8	119-8940	2	119-8992	1	119-8993	1
114U0014	Optyma DACC RX L127.1A4/E1	119-8937	3	119-8942	5	119-8942	2	119-8992	1	119-8993	1
114U0015	Optyma DACC RX L186.1A4/E1	119-8937	3	119-8942	8	119-8942	2	119-8992	1	119-8993	1
114U0016	Optyma DACC RX L233.1A4/E1	119-8937	4	119-8944	8	119-8944	2	119-8992	1	119-8993	1
114U0017	Optyma DACC RX L260.1A4/E1	119-8937	4	119-8944	9	119-8944	2	119-8992	1	119-8993	1
114U0018	Optyma DACC RX L315.1A4/E1	119-8937	5	119-8946	8	119-8946	2	119-8992	1	119-8993	1

⁽¹⁾DTFD = Defrost Time Fan Delay

⁽²⁾HL = Heat Limit Protection

Low Profile Unit Coolers Wiring diagram

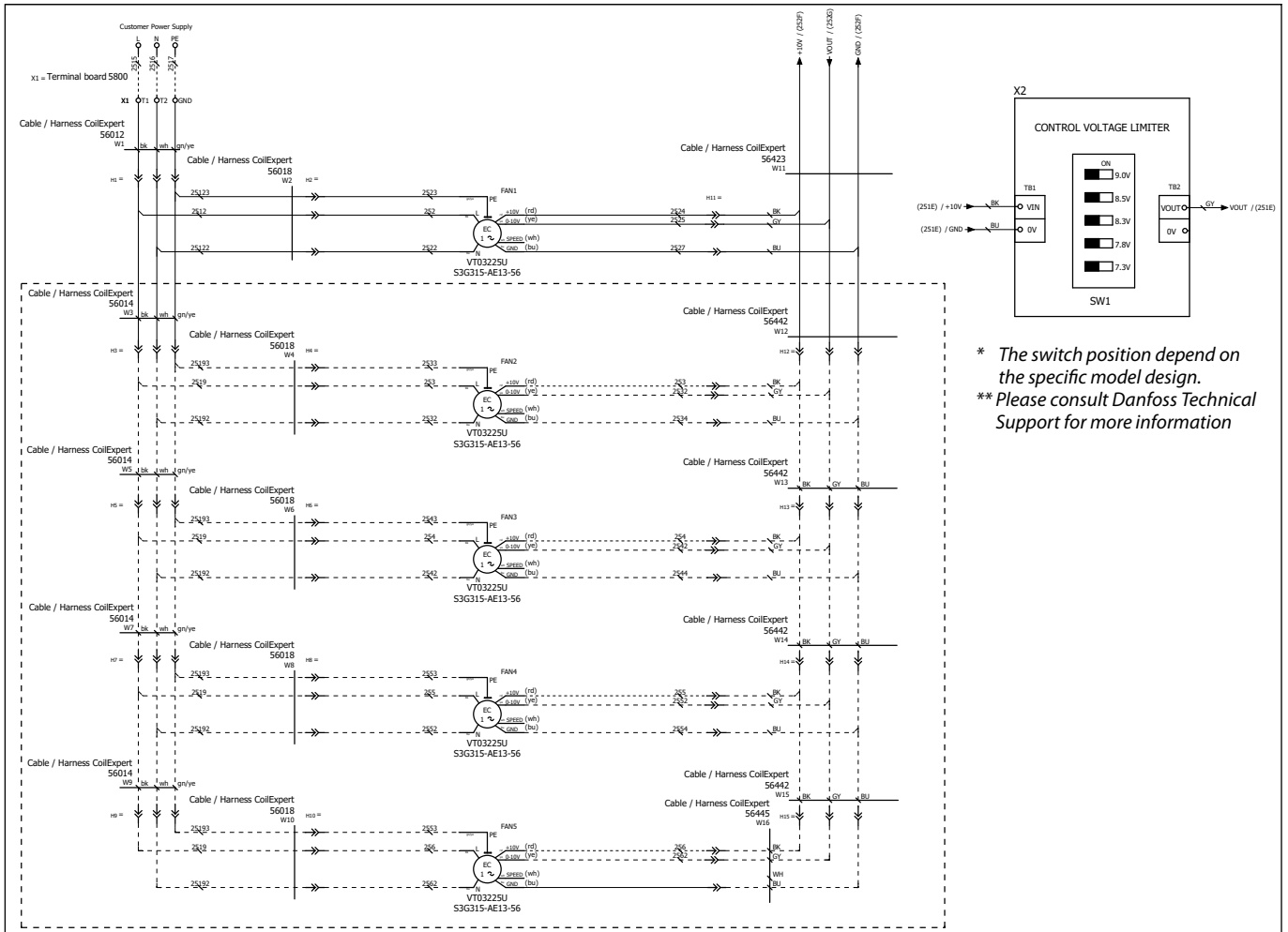
Air defrost



Fan quantity depends on unit model

Low Profile Unit Coolers Wiring diagram

Air defrost

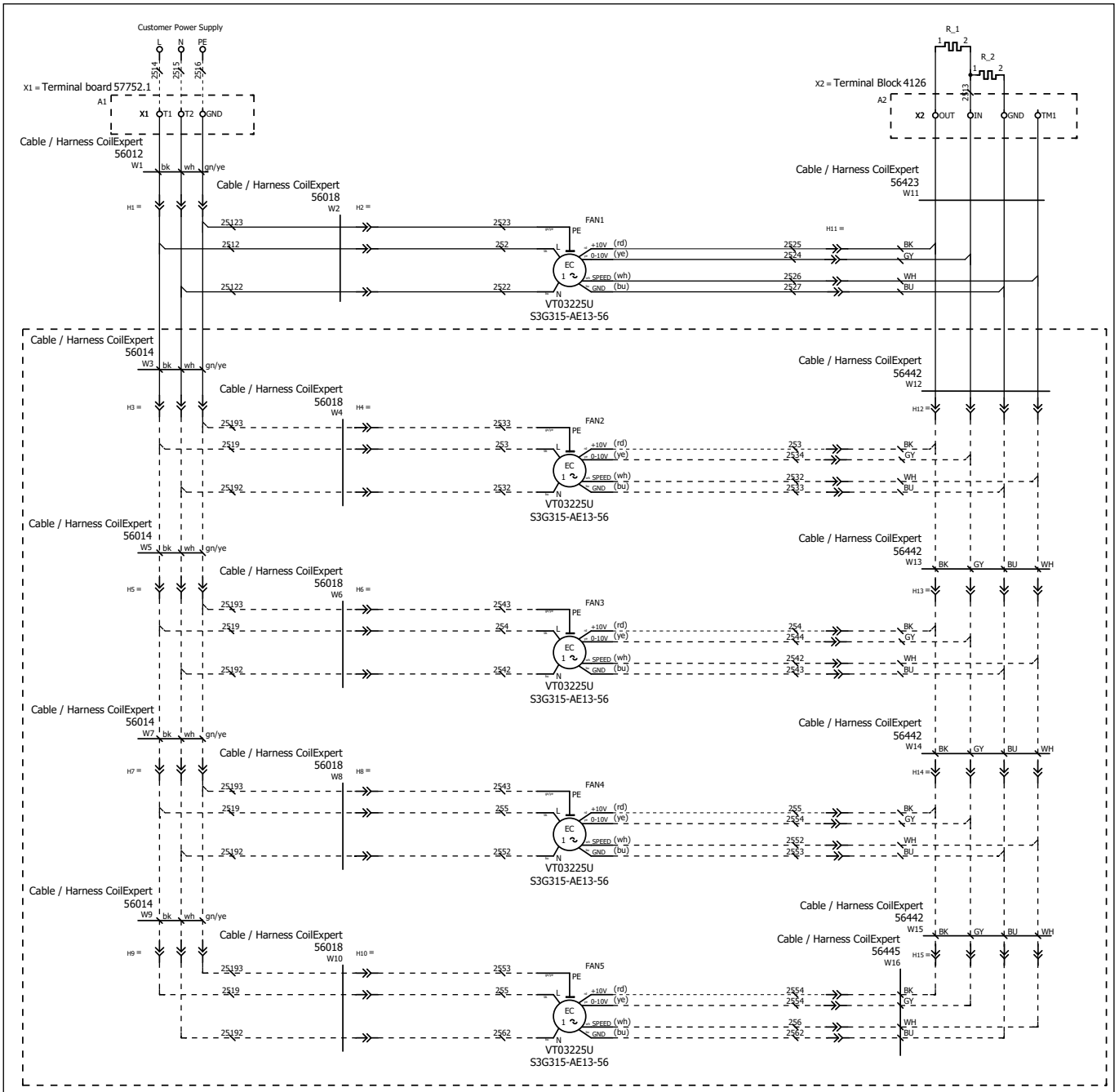


* The switch position depend on the specific model design.
 ** Please consult Danfoss Technical Support for more information

Fan quantity depends on unit model
 Control voltage depends on unit model

Low Profile Unit Coolers Wiring diagram

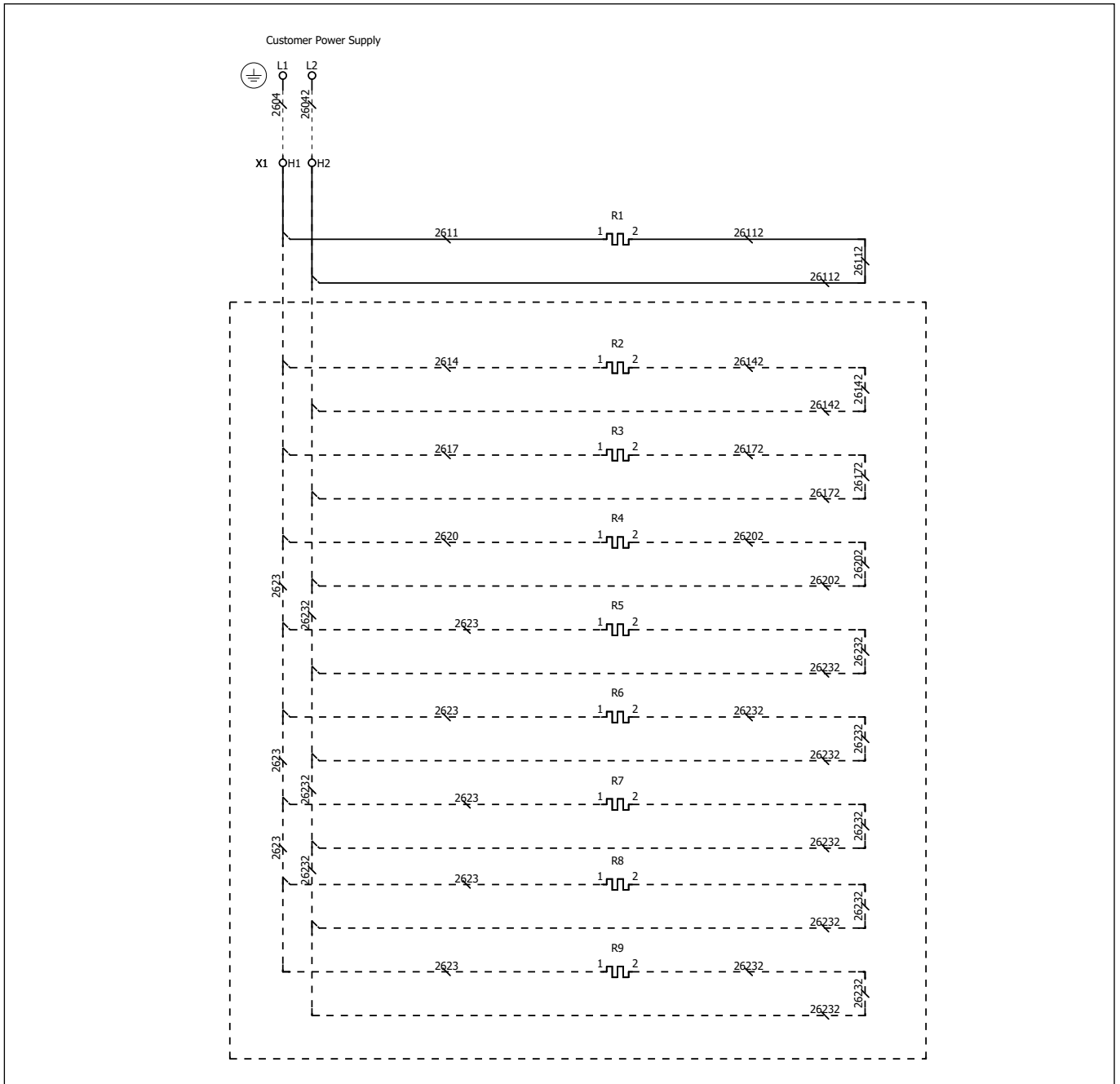
Electric defrost



Fan quantity depends on unit model

Low Profile Unit Coolers Wiring diagram

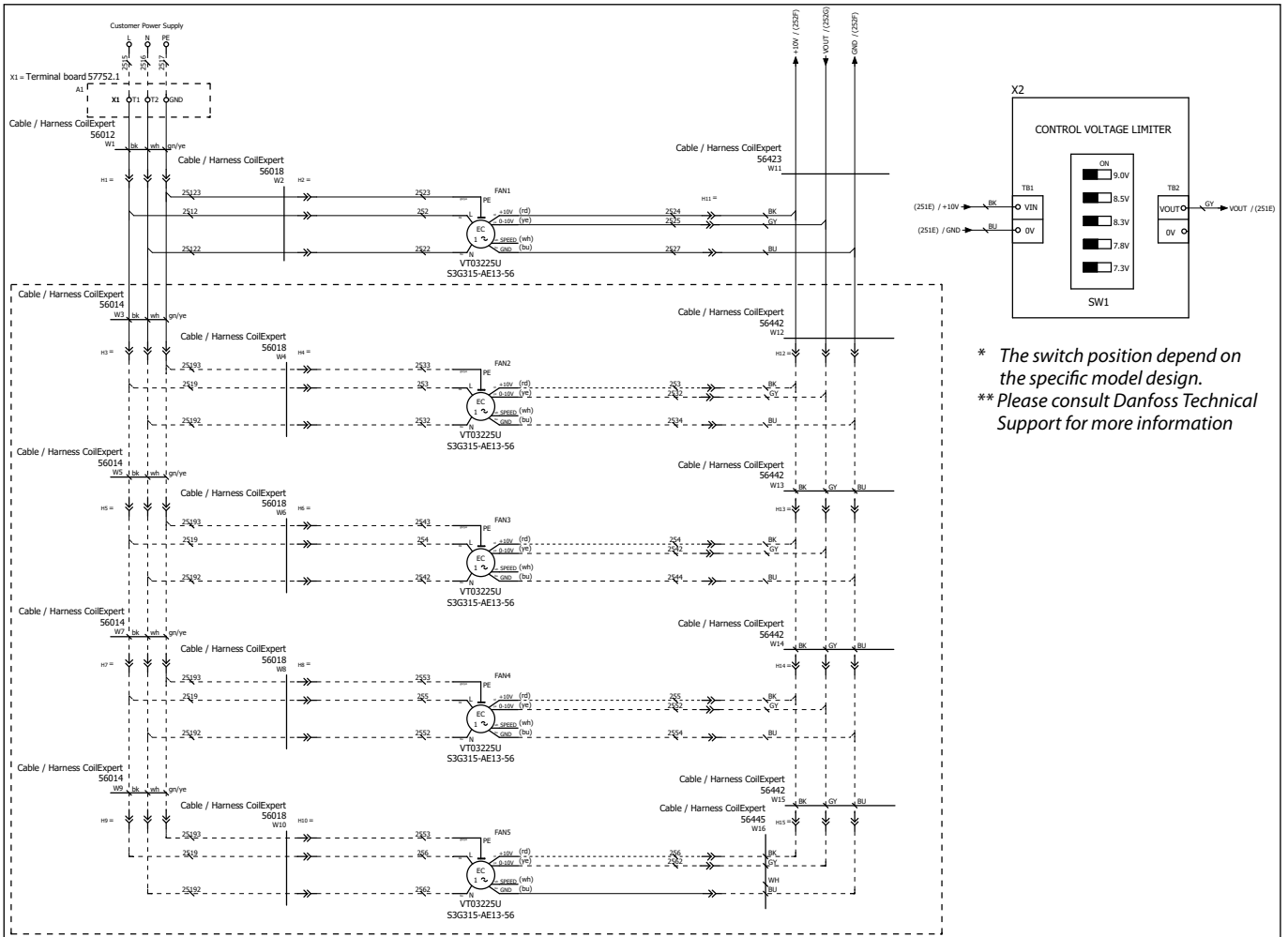
Electric defrost



Heaters quantity depends of unit model

Low Profile Unit Coolers Wiring diagram

Electric defrost

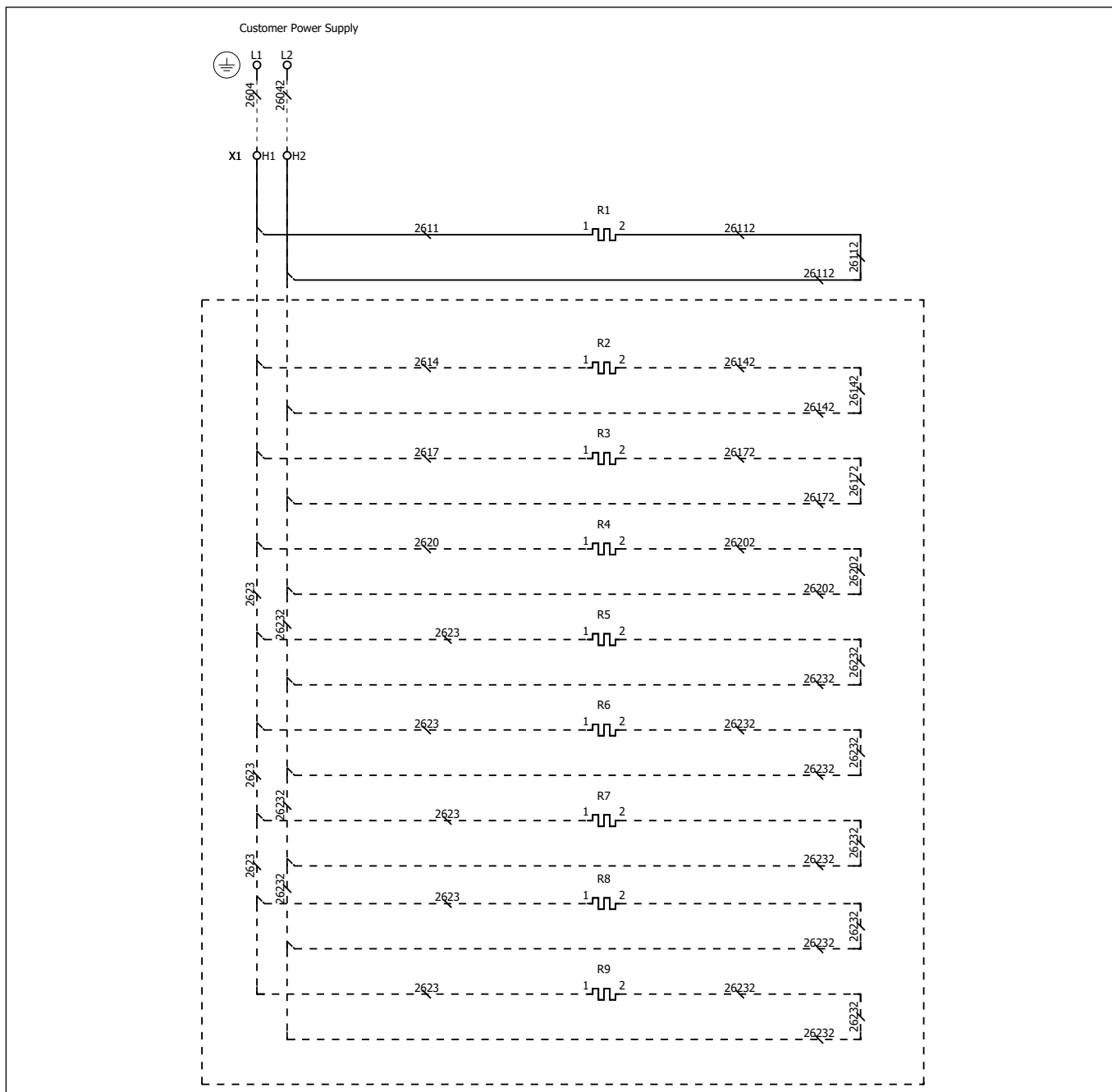


* The switch position depend on the specific model design.
 ** Please consult Danfoss Technical Support for more information

Fan quantity depends on unit model
 Control voltage depends on unit model

Low Profile Unit Coolers Wiring diagram

Electric defrost



Heaters quantity depends of unit model

Medium Profile Unit Coolers Air Defrost

Performance data

Application Capacity: Medium Temperature- 60 Hz - 6 FPI (Cooler)

Code Number	Model	R448A/R449A			R404A/R507A			Inlet in	Outlet in
		Application Capacity		AWEF	Application Capacity		AWEF		
		10°F TD / 25°F SST BTU/hr	6°C TD / -4°C SST Watts		10°F TD / 25°F SST BTU/hr	6°C TD / -4°C SST Watts			
114U0019	Optyma DACC RX M345.1A4/A1H	36,770	10,770	9.45	23,530	6,890	-	5/8	7/8
114U0020	Optyma DACC RX M430.1A4/A1H	47,610	13,940	9.45	30,760	9,010	9.45 ⁽¹⁾	5/8	1 1/8
114U0021	Optyma DACC RX M515.1A4/A1H	54,250	15,890	9.45	35,670	10,450	-	7/8	1 1/8
114U0022	Optyma DACC RX M645.1A4/A1H	71,910	21,060	9.45	46,460	13,610	9.45 ⁽¹⁾	7/8	1 1/8
114U0023	Optyma DACC RX M690.1A4/A1H	73,740	21,600	9.45	47,150	13,810	-	7/8	1 3/8
114U0024	Optyma DACC RX M865.1A4/A1H	95,420	27,950	9.45	61,950	18,150	9.45 ⁽¹⁾	7/8	1 3/8

⁽¹⁾ This Cooler model is not AWEF compliant when using R507A at the given conditions
 - This Cooler model is not AWEF compliant

Unit specifications

Medium Temperature - 60 Hz - 6 FPI

Code Number	Model	HP	No. of Fans	Air Flow Data		EC Motor				
						200 - 240 V / 1Ph / 50-60 Hz				
				CFM	m ³ /hr	FLA/Fan ⁽¹⁾	Total FLA ⁽¹⁾	Total Watts ⁽¹⁾	MCA	MOPD
114U0019	Optyma DACC RX M345.1A4/A1H	1/4	2	4,100	6,900	1.3	2.6	330	2.93	15
114U0020	Optyma DACC RX M430.1A4/A1H	1/4	2	3,800	6,400	1.3	2.6	330	2.93	15
114U0021	Optyma DACC RX M515.1A4/A1H	1/4	3	6,100	10,300	1.3	3.9	495	4.23	15
114U0022	Optyma DACC RX M645.1A4/A1H	1/4	3	5,800	9,700	1.3	3.9	495	4.23	15
114U0023	Optyma DACC RX M690.1A4/A1H	1/4	4	8,200	13,800	1.3	5.2	660	5.53	15
114U0024	Optyma DACC RX M865.1A4/A1H	1/4	4	7,600	12,900	1.3	5.2	660	5.53	15

⁽¹⁾ Nominal values based on 230V power supply

Note: Capacities shown are Application Capacities reflecting nominal operation at 10°F TD

Medium Profile Unit Coolers Electric Defrost

Performance data

Application Capacity: Medium Temperature - 60 Hz - 6 FPI (Cooler)

Code Number	Model	R448A/R449A			R404A/R507A			Inlet in	Outlet in
		Application Capacity		AWEF	Application Capacity		AWEF		
		10°F TD / 25°F SST	6°C TD / -4°C SST		10°F TD / 25°F SST	6°C TD / -4°C SST			
		BTU/hr	Watts		BTU/hr	Watts			
114U0025	Optyma DACC RX M190.1A4/E1H	24,490	7,170	9.45	-	-	-	5/8	1 1/8
114U0026	Optyma DACC RX M305.1A4/E1H	37,140	10,880	-	25,130	7,360	-	7/8	1 3/8
114U0027	Optyma DACC RX M385.1A4/E1H	49,030	14,360	9.45	-	-	-	7/8	1 3/8
114U0028	Optyma DACC RX M445.1A4/E1H	54,440	15,950	9.30 ⁽¹⁾	35,780	10,480	-	7/8	1 5/8
114U0029	Optyma DACC RX M575.1A4/E1H	71,180	20,850	9.45	47,280	13,850	-	7/8	1 5/8
114U0030	Optyma DACC RX M715.1A4/E1H	95,690	28,030	9.45	61,750	18,090	-	7/8	2 1/8

Application Capacity: Low Temperature - 60 Hz - 6 FPI (Freezer)

Code Number	Model	R448A/R449A			R404A/R507A			Inlet in	Outlet in
		Application Capacity		AWEF	Application Capacity		AWEF		
		10°F TD / -20°F SST	6°C TD / -29°C SST		10°F TD / -20°F SST	6°C TD / -29°C SST			
		BTU/hr	Watts		BTU/hr	Watts			
114U0025	Optyma DACC RX M190.1A4/E1H	19,200	5,620	4.35	14,200	4,160	4.35	5/8	1 1/8
114U0026	Optyma DACC RX M305.1A4/E1H	29,390	8,610	4.35	21,580	6,320	-	7/8	1 3/8
114U0027	Optyma DACC RX M385.1A4/E1H	38,470	11,270	4.35	28,450	8,330	4.35	7/8	1 3/8
114U0028	Optyma DACC RX M445.1A4/E1H	42,460	12,440	4.35	31,030	9,090	4.35 ⁽²⁾	7/8	1 5/8
114U0029	Optyma DACC RX M575.1A4/E1H	55,090	16,140	4.35	40,360	11,820	4.35	7/8	1 5/8
114U0030	Optyma DACC RX M715.1A4/E1H	70,040	20,520	4.35	52,450	15,360	4.35	7/8	2 1/8

Application Capacity: Medium Temperature - 60 Hz - 4 FPI (Cooler)

Code Number	Model	R448A/R449A			R404A/R507A			Inlet in	Outlet in
		Application Capacity		AWEF	Application Capacity		AWEF		
		10°F TD / 25°F SST	6°C TD / -4°C SST		10°F TD / 25°F SST	6°C TD / -4°C SST			
		BTU/hr	Watts		BTU/hr	Watts			
114U0031	Optyma DACC RX M250.1A6/E1H	30,870	9,040	-	-	-	-	5/8	1 1/8
114U0032	Optyma DACC RX M340.1A6/E1H	41,540	12,170	9.45	28,310	8,290	-	7/8	1 3/8
114U0033	Optyma DACC RX M375.1A6/E1H	44,650	13,080	-	30,430	8,910	-	7/8	1 3/8
114U0034	Optyma DACC RX M505.1A6/E1H	62,330	18,260	9.45	42,470	12,440	-	7/8	1 5/8
114U0035	Optyma DACC RX M645.1A6/E1H	82,950	24,300	9.45	55,310	16,200	-	7/8	1 5/8

Application Capacity: Low Temperature - 60 Hz - 4 FPI (Freezer)

Code Number	Model	R448A/R449A			R404A/R507A			Inlet in	Outlet in
		Application Capacity		AWEF	Application Capacity		AWEF		
		10°F TD / -20°F SST	6°C TD / -29°C SST		10°F TD / -20°F SST	6°C TD / -29°C SST			
		BTU/hr	Watts		BTU/hr	Watts			
114U0031	Optyma DACC RX M250.1A6/E1H	25,020	7,330	4.35	18,670	5,470	-	5/8	1 1/8
114U0032	Optyma DACC RX M340.1A6/E1H	32,850	9,620	4.35	24,330	7,120	4.35	7/8	1 3/8
114U0033	Optyma DACC RX M375.1A6/E1H	36,000	10,540	4.35	26,540	7,770	-	7/8	1 3/8
114U0034	Optyma DACC RX M505.1A6/E1H	49,360	14,460	4.35	36,530	10,700	4.35	7/8	1 5/8
114U0035	Optyma DACC RX M645.1A6/E1H	63,320	18,550	4.35	47,600	13,940	4.35	7/8	1 5/8

⁽¹⁾ This Cooler model is not AWEF compliant when using R449A at the given conditions

⁽²⁾ This Freezer model is not AWEF compliant when using R507A at the given conditions

- This Cooler or Freezer model is not AWEF compliant

Note: Capacities shown are Application Capacities reflecting nominal operation at 10°F TD

Medium Profile Unit Coolers Electric Defrost

Unit specifications

Medium or Low Temperature - 60 Hz - 6 FPI (Cooler or Freezer)

Code Number	Model	HP	No. of Fans	Air Flow Data		EC Motor					Heaters (Coil & Tray)			
						200 - 240 V / 1Ph / 50-60 Hz					230 V / 1 Ph / 60 Hz			
				CFM	m ³ /hr	FLA/ Fan ⁽¹⁾	Total FLA ⁽¹⁾	Total Watts ⁽¹⁾	MCA	MOPD	No. of Coil Heaters	No. of Tray Heaters	Total Amps ⁽¹⁾	Total Watts ⁽¹⁾
114U0025	Optyma DACC RX M190.1A4/E1H	1/4	1	1,900	3,200	1.3	1.3	165	1.6	15	12	3	19.6	4,500
114U0026	Optyma DACC RX M305.1A4/E1H	1/4	2	4,100	6,900	1.3	2.6	330	2.9	15	10	3	28.3	6,500
114U0027	Optyma DACC RX M385.1A4/E1H	1/4	2	3,900	6,500	1.3	2.6	330	2.9	15	14	3	37.0	8,500
114U0028	Optyma DACC RX M445.1A4/E1H	1/4	3	6,200	10,400	1.3	3.9	495	4.2	15	10	3	39.6	9,100
114U0029	Optyma DACC RX M575.1A4/E1H	1/4	3	5,800	9,700	1.3	3.9	495	4.2	15	16	3	57.8	13,300
114U0030	Optyma DACC RX M715.1A4/E1H	1/4	4	7,700	13,000	1.3	5.2	660	5.5	15	16	3	74.4	17,100

⁽¹⁾ Nominal values based on 230V power supply

Medium or Low Temperature - 60 Hz - 4 FPI (Cooler or Freezer)

Code Number	Model	HP	No. of Fans	Air Flow Data		EC Motor					Heaters (Coil & Tray)			
						200 - 240 V / 1Ph / 50-60 Hz					230 V / 1 Ph / 60 Hz			
				CFM	m ³ /hr	FLA/ Fan ⁽¹⁾	Total FLA ⁽¹⁾	Total Watts ⁽¹⁾	MCA	MOPD	No. of Coil Heaters	No. of Tray Heaters	Total Amps ⁽¹⁾	Total Watts ⁽¹⁾
114U0031	Optyma DACC RX M250.1A6/E1H	1/4	2	4,300	7,200	1.3	2.6	330	2.9	15	8	3	23.9	5,500
114U0032	Optyma DACC RX M340.1A6/E1H	1/4	2	4,100	6,900	1.3	2.6	330	2.9	15	10	3	28.3	6,500
114U0033	Optyma DACC RX M375.1A6/E1H	1/4	3	6,400	0,800	1.3	3.9	495	4.2	15	8	3	33.5	7,700
114U0034	Optyma DACC RX M505.1A6/E1H	1/4	3	6,200	10,400	1.3	3.9	495	4.2	15	12	3	45.7	10,500
114U0035	Optyma DACC RX M645.1A6/E1H	1/4	4	8,200	13,800	1.3	5.2	660	5.5	15	12	3	58.7	13,500

⁽¹⁾ Nominal values based on 230V power supply

Medium Profile Unit Coolers Physical data

Air Defrost - 60 Hz - 6 FPI

Code Number	Model	No. of Fans	Coil		Drain NPT	Net Weight	
			inlet OD	outlet OD		lbs	kg
			in.	in.	in.		
114U0019	Optyma DACC RX M345.1A4/A1H	2	5/8	7/8	1 1/4	159	72
114U0020	Optyma DACC RX M430.1A4/A1H	2	5/8	1 1/8	1 1/4	184	83
114U0021	Optyma DACC RX M515.1A4/A1H	3	7/8	1 1/8	1 1/4	224	101
114U0022	Optyma DACC RX M645.1A4/A1H	3	7/8	1 1/8	1 1/4	260	118
114U0023	Optyma DACC RX M690.1A4/A1H	4	7/8	1 3/8	1 1/4	283	128
114U0024	Optyma DACC RX M865.1A4/A1H	4	7/8	1 3/8	1 1/4	330	150

Electric Defrost - 60 Hz - 6 FPI

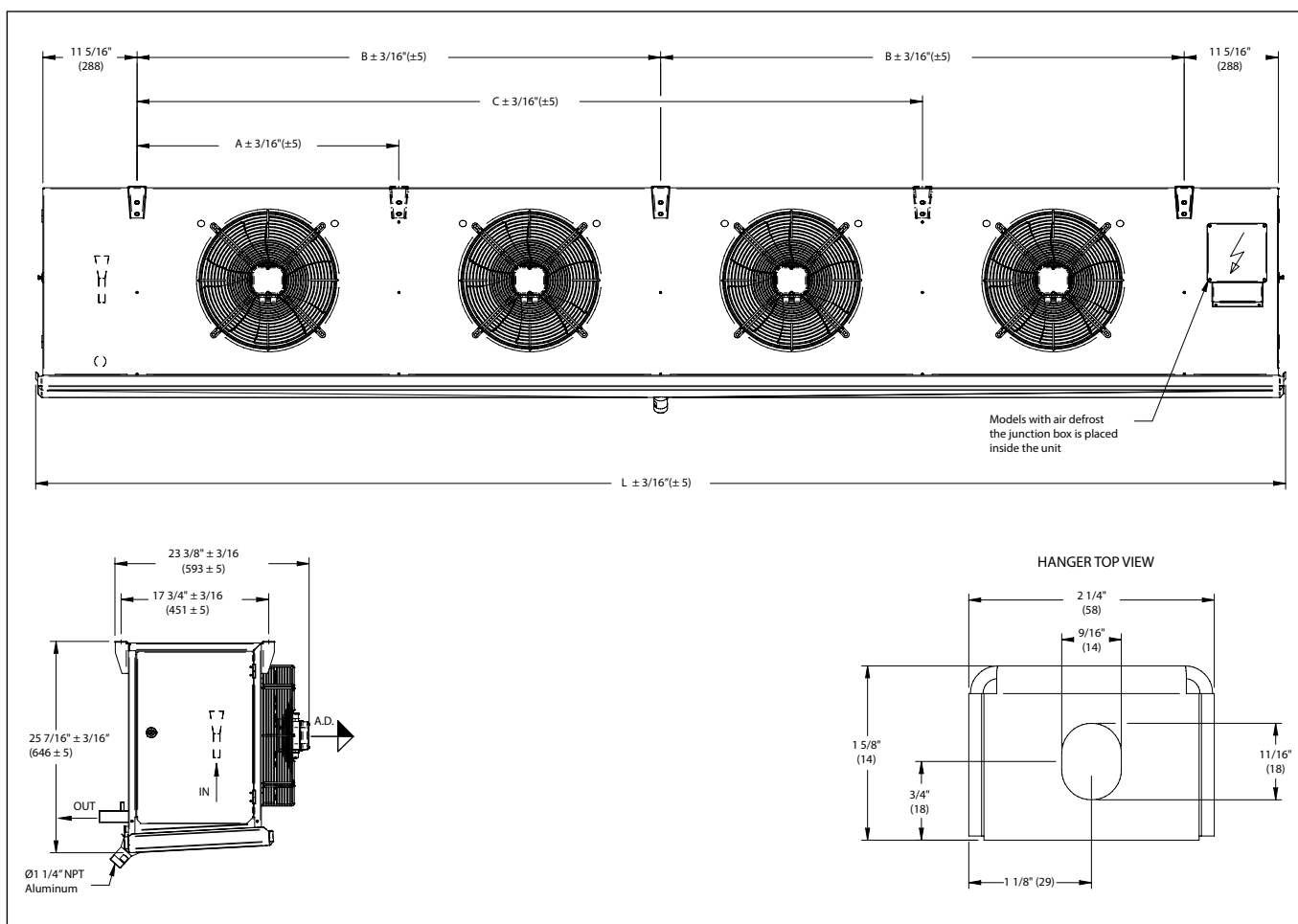
Code Number	Model	No. of Fans	Coil		Drain NPT	Net Weight ⁽¹⁾	
			inlet OD	outlet OD		lbs	kg
			in.	in.	in.		
114U0025	Optyma DACC RX M190.1A4/E1H	1	5/8	1 1/8	1 1/4	138	63
114U0026	Optyma DACC RX M305.1A4/E1H	2	7/8	1 3/8	1 1/4	195	88
114U0027	Optyma DACC RX M385.1A4/E1H	2	7/8	1 3/8	1 1/4	230	104
114U0028	Optyma DACC RX M445.1A4/E1H	3	7/8	1 5/8	1 1/4	272	123
114U0029	Optyma DACC RX M575.1A4/E1H	3	7/8	1 5/8	1 1/4	331	150
114U0030	Optyma DACC RX M715.1A4/E1H	4	7/8	2 1/8	1 1/4	422	191

Electric Defrost - 60 Hz - 4 FPI

Code Number	Model	No. of Fans	Coil		Drain NPT	Net Weight ⁽¹⁾	
			inlet OD	outlet OD		lbs	kg
			in.	in.	in.		
114U0031	Optyma DACC RX M250.1A6/E1H	2	5/8	1 1/8	1 1/4	191	87
114U0032	Optyma DACC RX M340.1A6/E1H	2	7/8	1 3/8	1 1/4	223	101
114U0033	Optyma DACC RX M375.1A6/E1H	3	7/8	1 3/8	1 1/4	268	122
114U0034	Optyma DACC RX M505.1A6/E1H	3	7/8	1 5/8	1 1/4	322	146
114U0035	Optyma DACC RX M645.1A6/E1H	4	7/8	1 5/8	1 1/4	410	186

⁽¹⁾Including heaters

Medium Profile Unit Coolers Dimensions



Air Defrost - 60 Hz - 6 FPI

Code Number	Air defrost Model	Fan qty.	Qty. of fixing points	L		A		B		C		Weight	
				in.	mm	in.	mm	in.	mm	in.	mm	lb	kg
114U0019	DACC RX M345.1A4/A1H	2	4	87 3/8	2220	X	X	63	1600	X	X	159	72
114U0020	DACC RX M430.1A4/A1H	2	4	87 3/8	2220	X	X	63	1600	X	X	184	83
114U0021	DACC RX M515.1A4/A1H	3	4	118 7/8	3020	X	X	X	X	94 1/2	2400	224	101
114U0022	DACC RX M645.1A4/A1H	3	4	118 7/8	3020	X	X	X	X	94 1/2	2400	260	118
114U0023	DACC RX M690.1A4/A1H	4	6	150 3/8	3820	X	X	63	1600	X	X	283	128
114U0024	DACC RX M865.1A4/A1H	4	6	150 3/8	3820	X	X	63	1600	X	X	330	150

Electric - 60 Hz - 4 & 6 FPI

Code Number	Electric defrost Model	Fan qty.	Qty. of fixing points	L		A		B		C		Weight	
				in.	mm	in.	mm	in.	mm	in.	mm	lb	kg
114U0025	DACC RX M190.1A4/E1H	1	4	55 7/8	1420	31 1/2	800	X	X	X	X	138	63
114U0026	DACC RX M305.1A4/E1H	2	4	87 3/8	2220	X	X	63	1600	X	X	195	88
114U0027	DACC RX M385.1A4/E1H	2	4	87 3/8	2220	X	X	63	1600	X	X	230	104
114U0028	DACC RX M445.1A4/E1H	3	4	118 7/8	3020	X	X	X	X	94 1/2	2400	272	123
114U0029	DACC RX M575.1A4/E1H	3	4	118 7/8	3020	X	X	X	X	94 1/2	2400	331	150
114U0030	DACC RX M715.1A4/E1H	4	6	150 3/8	3820	X	X	63	1600	X	X	422	191
114U0031	DACC RX M250.1A6/E1H	2	4	87 3/8	2220	X	X	63	1600	X	X	191	87
114U0032	DACC RX M340.1A6/E1H	2	4	87 3/8	2220	X	X	63	1600	X	X	223	101
114U0033	DACC RX M375.1A6/E1H	3	4	118 7/8	3020	X	X	X	X	94 1/2	2400	268	122
114U0034	DACC RX M505.1A6/E1H	3	4	118 7/8	3020	X	X	X	X	94 1/2	2400	322	146
114U0035	DACC RX M645.1A6/E1H	4	6	150 3/8	3820	X	X	63	1600	X	X	410	186

⁽¹⁾ Imperial units rounded to nearest 1/16"

⁽²⁾ Center line to center line of mounting brackets

Medium Profile Unit Coolers Spare parts

Air Defrost - 60 Hz - 6 FPI

Code Number	Nomenclature	Fan	
		Code	Quantity
114U0019	Optyma DACC RX M345.1A4/A1H	119-8956	2
114U0020	Optyma DACC RX M430.1A4/A1H	119-8956	2
114U0021	Optyma DACC RX M515.1A4/A1H	119-8956	3
114U0022	Optyma DACC RX M645.1A4/A1H	119-8956	3
114U0023	Optyma DACC RX M690.1A4/A1H	119-8956	4
114U0024	Optyma DACC RX M865.1A4/A1H	119-8956	4

Electric Defrost - 60 Hz - 6 FPI

Code Number	Nomenclature	Fan		Coil Heater		Tray Heater		Evaporator Protection			
								DTFD ⁽¹⁾		HL ⁽²⁾	
		Code	Quantity	Code	Quantity	Code	Quantity	Code	Quantity	Code	Quantity
114U0025	Optyma DACC RX M190.1A4/E1H	119-8956	1	119-8940	12	119-8940	3	119-8992	1	119-8993	1
114U0026	Optyma DACC RX M305.1A4/E1H	119-8956	2	119-8958	10	119-8958	3	119-8992	1	119-8993	1
114U0027	Optyma DACC RX M385.1A4/E1H	119-8956	2	119-8958	14	119-8958	3	119-8992	1	119-8993	1
114U0028	Optyma DACC RX M445.1A4/E1H	119-8956	3	119-8960	10	119-8960	3	119-8992	1	119-8993	1
114U0029	Optyma DACC RX M575.1A4/E1H	119-8956	3	119-8960	16	119-8960	3	119-8992	1	119-8993	1
114U0030	Optyma DACC RX M715.1A4/E1H	119-8956	4	119-8962	16	119-8962	3	119-8992	1	119-8993	1

Electric Defrost - 60 Hz - 4 FPI

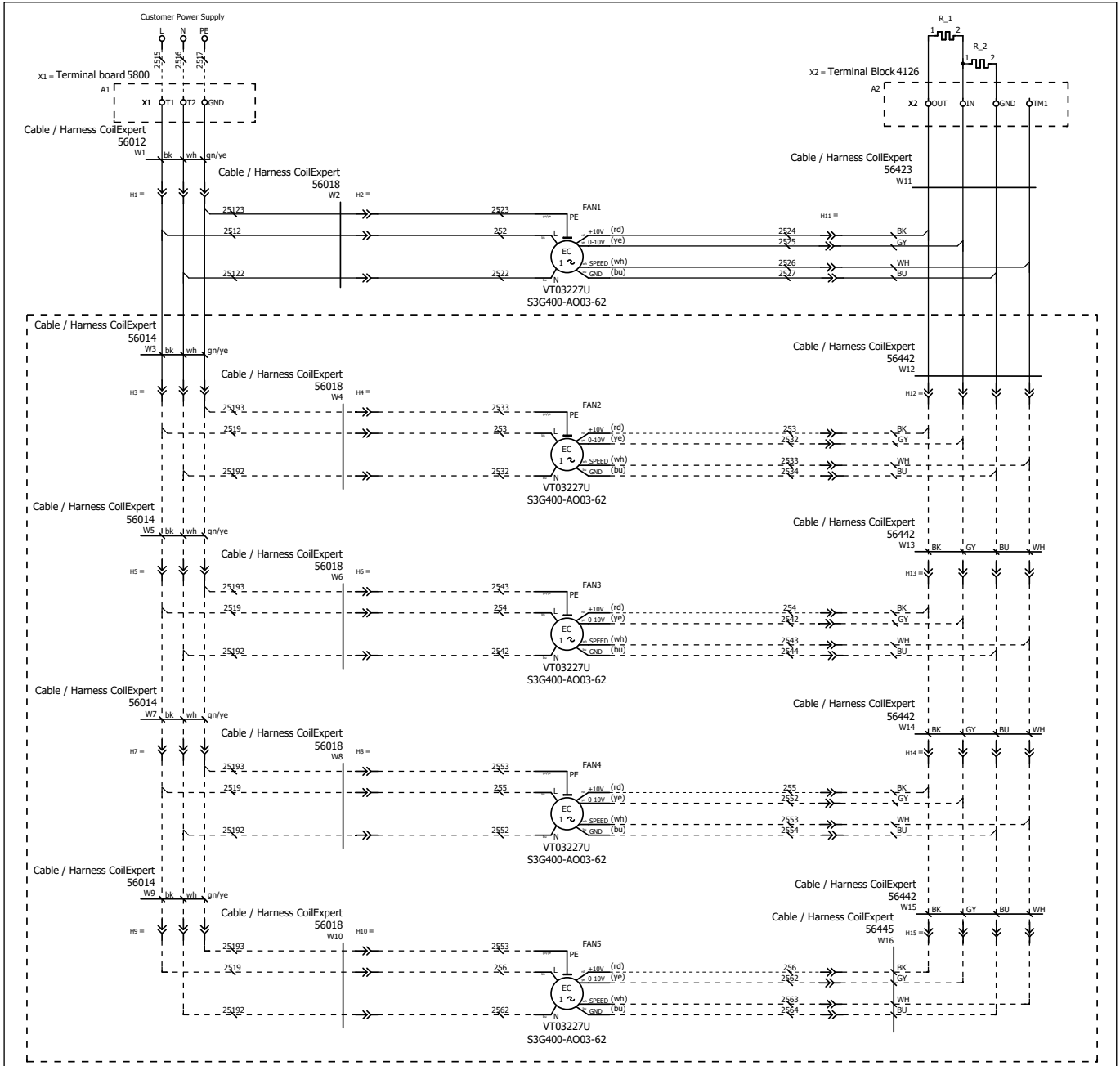
Code Number	Nomenclature	Fan		Coil Heater		Tray Heater		Evaporator Protection			
								DTFD ⁽¹⁾		HL ⁽²⁾	
		Code	Quantity	Code	Quantity	Code	Quantity	Code	Quantity	Code	Quantity
114U0031	Optyma DACC RX M250.1A6/E1H	119-8956	2	119-8958	8	119-8958	3	119-8992	1	119-8993	1
114U0032	Optyma DACC RX M340.1A6/E1H	119-8956	2	119-8958	10	119-8958	3	119-8992	1	119-8993	1
114U0033	Optyma DACC RX M375.1A6/E1H	119-8956	3	119-8960	8	119-8960	3	119-8992	1	119-8993	1
114U0034	Optyma DACC RX M505.1A6/E1H	119-8956	3	119-8960	12	119-8960	3	119-8992	1	119-8993	1
114U0035	Optyma DACC RX M645.1A6/E1H	119-8956	4	119-8962	12	119-8962	3	119-8992	1	119-8993	1

⁽¹⁾DTFD = Defrost Time Fan Delay

⁽²⁾HL = Heat Limit Protection

Medium Profile Unit Coolers Wiring diagram

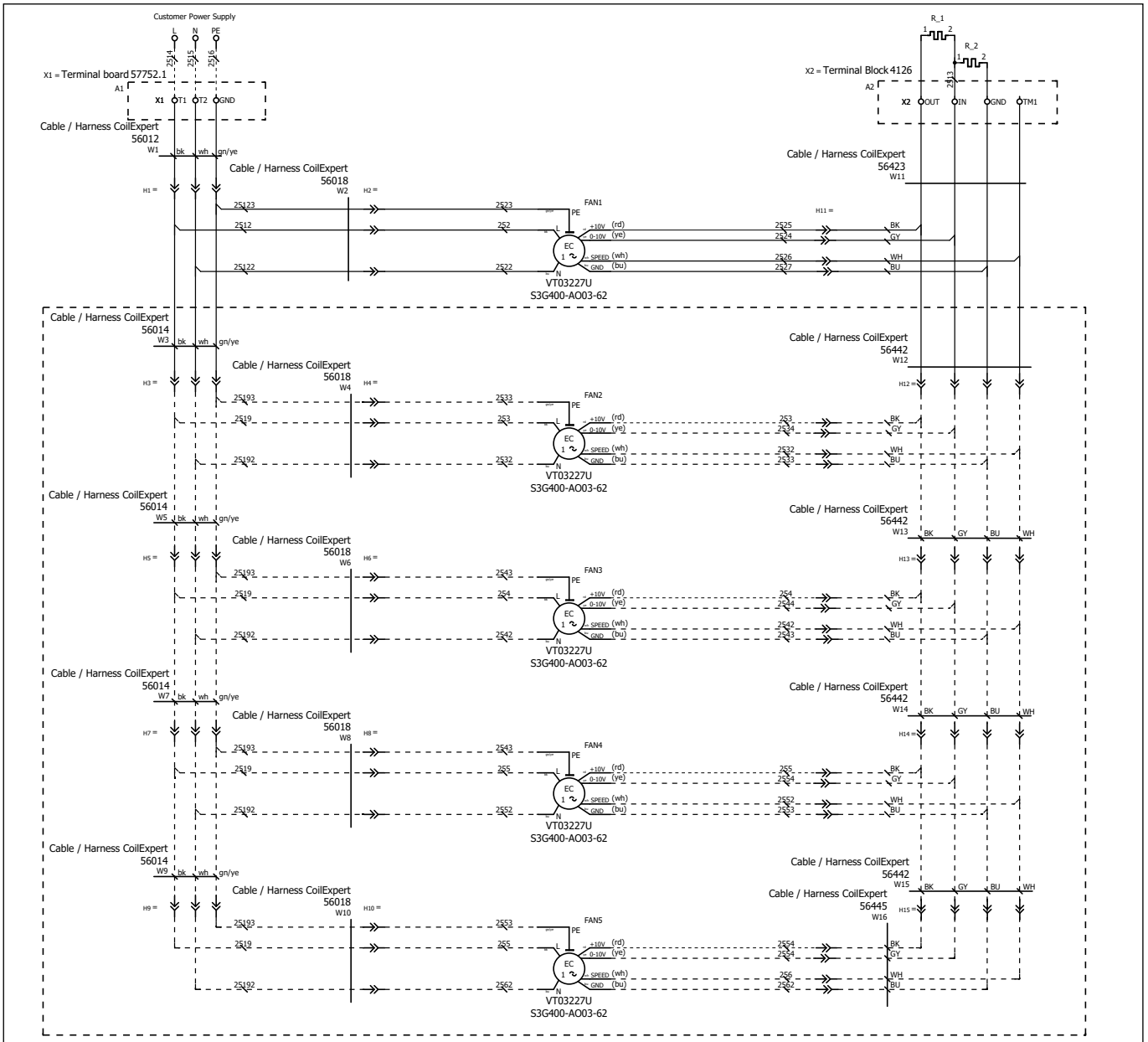
Air defrost



Fan quantity depends on unit model

Medium Profile Unit Coolers Wiring diagram

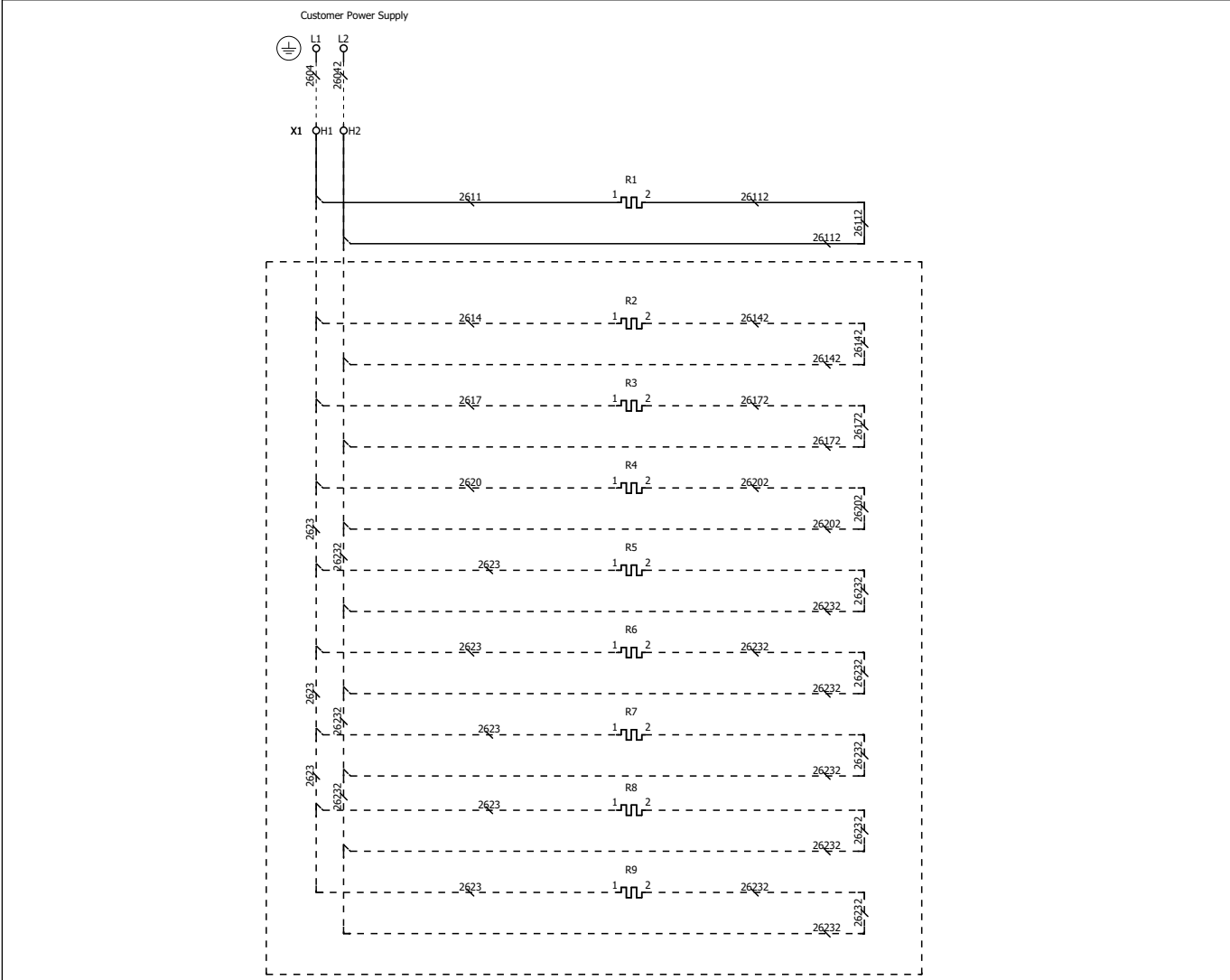
Electrical defrost



Fan quantity depends on unit model

Medium Profile Unit Coolers Wiring diagram

Electrical defrost



Heaters quantity depends of unit model

Medium Profile Unit Coolers

High Profile Unit Coolers Air Defrost

Performance data

Application Capacity: Medium Temperature- 60 Hz - 6 FPI (Cooler)

Code Number	Model	R448A/R449A			R404A/R507A			Inlet in	Outlet in
		Application Capacity		AWEF	Application Capacity		AWEF		
		10°F TD / 25°F SST	6°C TD / -4°C SST		10°F TD / 25°F SST	6°C TD / -4°C SST			
		BTU/hr	Watts		BTU/hr	Watts			
114U0036	Optyma DACC RX H0615.1A4/A2H	67,240	19,700	9.45	43,460	12,730	-	7/8	1 1/8
114U0037	Optyma DACC RX H0750.1A4/A2H	87,230	25,550	9.45	57,350	16,800	-	7/8	1 3/8
114U0038	Optyma DACC RX H0915.1A4/A2H	101,400	29,710	9.45	65,640	19,230	-	7/8	1 3/8
114U0039	Optyma DACC RX H1110.1A4/A2H	130,000	38,090	9.45	86,740	25,410	-	7/8	1 5/8
114U0040	Optyma DACC RX H1475.1A4/A2H	172,800	50,630	9.45	115,500	33,840	-	7/8	1 5/8

- This Cooler model is not AWEF compliant

Unit specifications

Medium Temperature - 60 Hz - 6 FPI

Code Number	Model	HP	No. of Fans	Air Flow Data		EC Motor				
				CFM	m ³ /hr	380 - 460 V / 3Ph / 50-60 Hz				
						FLA/Fan ⁽¹⁾	Total FLA ⁽¹⁾	Total Watts ⁽¹⁾	MCA	MOPD
114U0036	Optyma DACC RX H0615.1A4/A2H	1/3	2	5,600	9,500	0.5	1.0	530	1.08	15
114U0037	Optyma DACC RX H0750.1A4/A2H	1/2	2	5,500	9,200	0.6	1.1	680	1.24	15
114U0038	Optyma DACC RX H0915.1A4/A2H	1/3	3	8,400	14,200	0.5	1.4	795	1.56	15
114U0039	Optyma DACC RX H1110.1A4/A2H	1/2	3	8,200	13,800	0.6	1.7	1,020	1.79	15
114U0040	Optyma DACC RX H1475.1A4/A2H	1/2	4	10,900	18,400	0.6	2.2	1,360	2.34	15

⁽¹⁾ Nominal values based on 230V power supply

Note: Capacities shown are Application Capacities reflecting nominal operation at 10°F TD

High Profile Unit Coolers Electric Defrost

Performance data

Application Capacity: Medium Temperature - 60 Hz - 6 FPI (Cooler)

Code Number	Model	R448A/R449A			R404A/R507A			Inlet	Outlet
		Application Capacity		AWEF	Application Capacity		AWEF		
		10°F TD / 25°F SST	6°C TD / -4°C SST		10°F TD / 25°F SST	6°C TD / -4°C SST			
		BTU/hr	Watts		BTU/hr	Watts			
114U0041	Optyma DACC RX H0695.1A4/E2H	88,500	25,930	-	-	-	7/8	2 1/8	
114U0042	Optyma DACC RX H1025.1A4/E2H	129,400	37,910	-	86,160	25,240	1 1/8	2 1/8	
114U0043	Optyma DACC RX H1200.1A4/E2H	164,500	48,190	9.36	107,400	31,460	1 1/8	2 5/8	

Application Capacity: Low Temperature - 60 Hz - 6 FPI (Freezer)

Code Number	Model	R448A/R449A			R404A/R507A			Inlet	Outlet
		Application Capacity		AWEF	Application Capacity		AWEF		
		10°F TD / -20°F SST	6°C TD / -29°C SST		10°F TD / -20°F SST	6°C TD / -29°C SST			
		BTU/hr	Watts		BTU/hr	Watts			
114U0041	Optyma DACC RX H0695.1A4/E2H	69,750	20,430	4.35	51,760	15,160	-	7/8	2 1/8
114U0042	Optyma DACC RX H1025.1A4/E2H	99,970	29,290	4.35	73,480	21,520	-	1 1/8	2 1/8
114U0043	Optyma DACC RX H1200.1A4/E2H	120,600	35,330	4.35	90,670	26,560	-	1 1/8	2 5/8

Application Capacity: Medium Temperature - 60 Hz - 4 FPI (Cooler)

Code Number	Model	R448A/R449A			R404A/R507A			Inlet	Outlet
		Application Capacity		AWEF	Application Capacity		AWEF		
		10°F TD / 25°F SST	6°C TD / -4°C SST		10°F TD / 25°F SST	6°C TD / -4°C SST			
		BTU/hr	Watts		BTU/hr	Watts			
114U0044	Optyma DACC RX H0615.1A6/E2H	78,280	22,930	-	-	-	7/8	2 1/8	
114U0045	Optyma DACC RX H0920.1A6/E2H	115,000	33,690	-	79,150	23,190	7/8	2 1/8	
114U0046	Optyma DACC RX H1110.1A6/E2H	147,500	43,210	-	99,380	29,110	1 1/8	2 5/8	

Application Capacity: Low Temperature - 60 Hz - 4 FPI (Freezer)

Code Number	Model	R448A/R449A			R404A/R507A			Inlet	Outlet
		Application Capacity		AWEF	Application Capacity		AWEF		
		10°F TD / -20°F SST	6°C TD / -29°C SST		10°F TD / -20°F SST	6°C TD / -29°C SST			
		BTU/hr	Watts		BTU/hr	Watts			
114U0044	Optyma DACC RX H0615.1A6/E2H	62,990	18,450	4.35	47,590	13,940	-	7/8	2 1/8
114U0045	Optyma DACC RX H0920.1A6/E2H	91,190	26,710	4.35	68,260	20,000	-	7/8	2 1/8
114U0046	Optyma DACC RX H1110.1A6/E2H	112,100	32,840	4.35	84,950	24,890	4.35 ⁽¹⁾	1 1/8	2 5/8

⁽¹⁾ This Freezer model is not AWEF compliant when using R507A at the given conditions
 - This Cooler or Freezer model is not AWEF compliant

Note: Capacities shown are Application Capacities reflecting nominal operation at 10°F TD

High Profile Unit Coolers Electric Defrost

Unit specifications

Medium or Low Temperature - 60 Hz - 6 FPI (Cooler or Freezer)

Code Number	Model	HP	No. of Fans	Air Flow Data		EC Motor					Heaters (Coil & Tray)			
						380 - 460 V / 3Ph / 50-60 Hz					230 V / 1 Ph / 60 Hz			
				CFM	m ³ /hr	FLA/Fan ⁽¹⁾	Total FLA ⁽¹⁾	Total Watts ⁽¹⁾	MCA	MOPD	No. of Coil Heaters	No. of Tray Heaters	Total Amps ⁽¹⁾	Total Watts ⁽¹⁾
114U0041	Optyma DACC RX H0695.1A4/E2H	1/2	2	6,400	10,800	0.7	1.3	830	1.5	15	16	4	17.9	14,000
114U0042	Optyma DACC RX H1025.1A4/E2H	1/2	3	9,600	16,200	0.7	2.0	1,245	2.2	15	18	4	28.8	22,600
114U0043	Optyma DACC RX H1200.1A4/E2H	1/2	4	11,800	19,900	0.6	2.2	1,360	2.3	15	16	4	36.9	29,200

⁽¹⁾ Nominal values based on 230V power supply

Medium or Low Temperature - 60 Hz - 4 FPI (Cooler or Freezer)

Code Number	Model	HP	No. of Fans	Air Flow Data		EC Motor					Heaters (Coil & Tray)			
						380 - 460 V / 3Ph / 50-60 Hz					230 V / 1 Ph / 60 Hz			
				CFM	m ³ /hr	FLA/Fan ⁽¹⁾	Total FLA ⁽¹⁾	Total Watts ⁽¹⁾	MCA	MOPD	No. of Coil Heaters	No. of Tray Heaters	Total Amps ⁽¹⁾	Total Watts ⁽¹⁾
114U0044	Optyma DACC RX H0615.1A6/E2H	1/2	2	7,000	11,800	0.7	1.3	830	1.5	15	12	4	14.1	11,000
114U0045	Optyma DACC RX H0920.1A6/E2H	1/2	3	10,500	17,700	0.7	2.0	1,245	2.2	15	14	4	23.4	18,200
114U0046	Optyma DACC RX H1100.1A6/E2H	1/2	4	12,900	21,800	0.6	2.2	1,360	2.3	15	12	4	29.2	22,800

⁽¹⁾ Nominal values based on 230V power supply

High Profile Unit Coolers Physical data

Air Defrost - 60 Hz - 6 FPI

Code Number	Model	No. of Fans	Coil		Drain NPT	Net Weight	
			inlet OD	outlet OD		lbs	kg
			in.	in.			
114U0036	Optyma DACC RX H0615.1A4/A2H	2	7/8	1 1/8	1 1/4	195	89
114U0037	Optyma DACC RX H0750.1A4/A2H	2	7/8	1 3/8	1 1/4	260	118
114U0038	Optyma DACC RX H0915.1A4/A2H	3	7/8	1 3/8	1 1/4	268	122
114U0039	Optyma DACC RX H1110.1A4/A2H	3	7/8	1 5/8	1 1/4	363	164
114U0040	Optyma DACC RX H1475.1A4/A2H	4	7/8	1 5/8	1 1/4	454	206

Electric Defrost - 60 Hz - 6 FPI

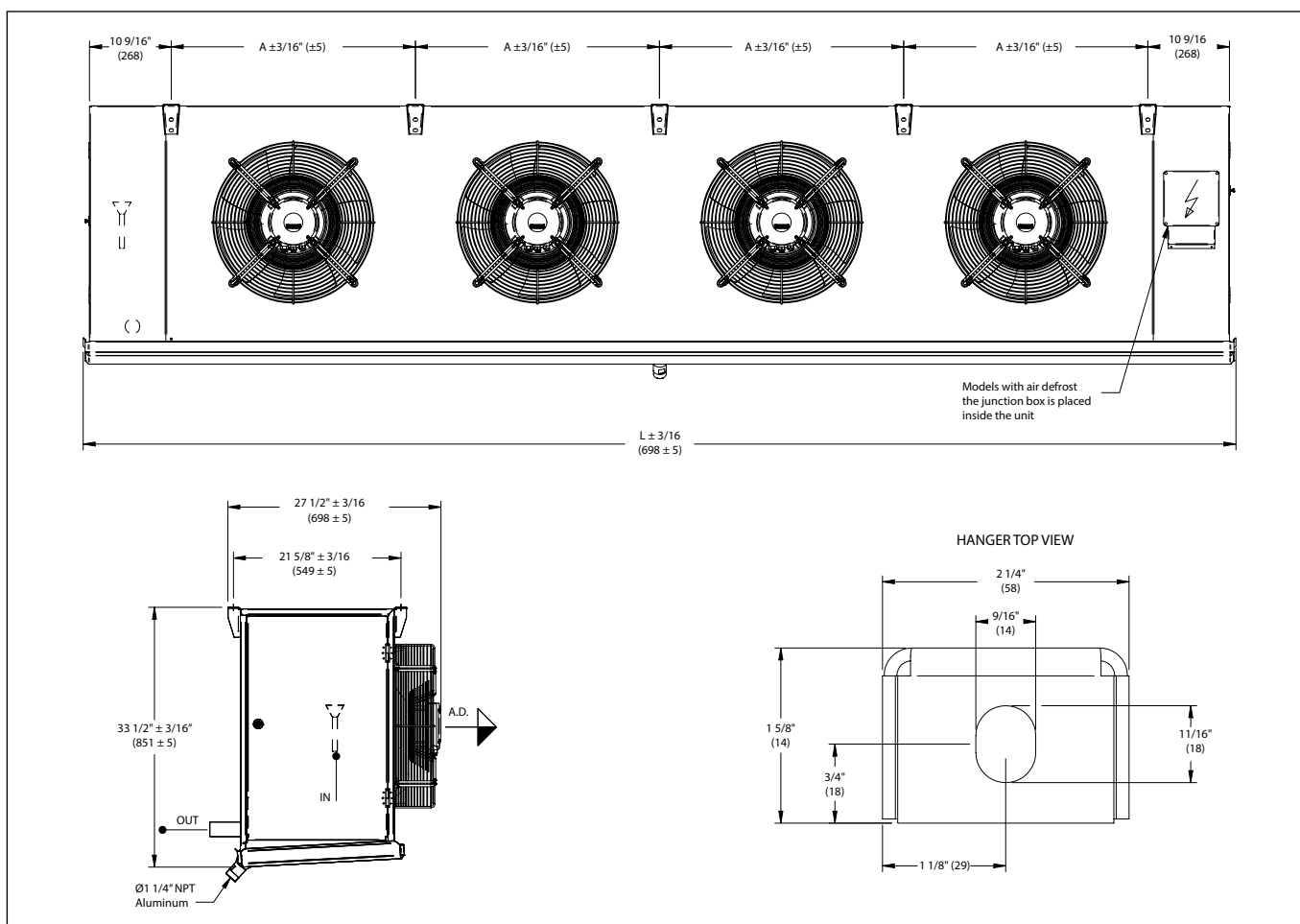
Code Number	Model	No. of Fans	Coil		Drain NPT	Net Weight ⁽¹⁾	
			inlet OD	outlet OD		lbs	kg
			in.	in.			
114U0041	Optyma DACC RX H0695.1A4/E2H	2	7/8	2 1/8	1 1/4	244	111
114U0042	Optyma DACC RX H1025.1A4/E2H	3	1 1/8	2 1/8	1 1/4	341	155
114U0043	Optyma DACC RX H1200.1A4/E2H	4	1 1/8	2 5/8	1 1/4	422	191

Electric Defrost - 60 Hz - 4 FPI

Code Number	Model	No. of Fans	Coil		Drain NPT	Net Weight ⁽¹⁾	
			inlet OD	outlet OD		lbs	kg
			in.	in.			
114U0044	Optyma DACC RX H0615.1A6/E2H	2	7/8	2 1/8	1 1/4	262	119
114U0045	Optyma DACC RX H0920.1A6/E2H	3	7/8	2 1/8	1 1/4	366	166
114U0046	Optyma DACC RX H1100.1A6/E2H	4	1 1/8	2 5/8	1 1/4	457	207

⁽¹⁾Including heaters

High Profile Unit Coolers Dimensions



Air Defrost - 60 Hz - 6 FPI

Code Number	Air defrost Model	Fan qty.	Qty. of fixing points	L		A		Weight	
				in.	mm	in.	mm	lb	kg
114U0036	DACC RX H0615.1A4/A2H	2	6	85 2/3	2177	31 1/2	800	195	89
114U0037	DACC RX H0750.1A4/A2H	2	6	85 2/3	2177	31 1/2	800	260	118
114U0038	DACC RX H0915.1A4/A2H	3	8	117 1/5	2977	31 1/2	800	268	122
114U0039	DACC RX H1110.1A4/A2H	3	8	117 1/5	2977	31 1/2	800	362	164
114U0040	DACC RX H1475.1A4/A2H	4	10	148 11/16	3777	31 1/2	800	454	206

Electric - 60 Hz - 4 & 6 FPI

Code Number	Air defrost Model	Fan qty.	Qty. of fixing points	L		A		Weight	
				in.	mm	in.	mm	lb	kg
114U0041	DACC RX H0695.1A4/E2H	2	6	85 11/16	2177	31 1/2	800	244	244
114U0042	DACC RX H1025.1A4/E2H	3	8	117 3/16	2977	31 1/2	800	341	341
114U0043	DACC RX H1200.1A4/E2H	4	10	148 11/16	3777	31 1/2	800	422	422
114U0044	DACC RX H0615.1A6/E2H	2	6	85 11/16	2177	31 1/2	800	262	262
114U0045	DACC RX H0920.1A6/E2H	3	8	117 3/16	2977	31 1/2	800	366	366
114U0046	DACC RX H1110.1A6/E2H	4	10	148 11/16	3777	31 1/2	800	457	457

⁽¹⁾ Imperial units rounded to nearest 1/16"

⁽²⁾ Center line to center line of mounting brackets

High Profile Unit Coolers Spare parts

Air Defrost - 60 Hz - 6 FPI

Code Number	Nomenclature	Fan	
		Code	Quantity
114U0036	Optyma DACC RX H0615.1A4/A2H	119-8979	2
114U0037	Optyma DACC RX H0750.1A4/A2H	119-8979	2
114U0038	Optyma DACC RX H0915.1A4/A2H	119-8979	3
114U0039	Optyma DACC RX H1110.1A4/A2H	119-8979	3
114U0040	Optyma DACC RX H1475.1A4/A2H	119-8979	4

Electric Defrost - 60 Hz - 6 FPI

Code Number	Nomenclature	Fan		Coil Heater		Tray Heater		Evaporator Protection			
								DTFD ⁽¹⁾		HL ⁽²⁾	
		Code	Quantity	Code	Quantity	Code	Quantity	Code	Quantity	Code	Quantity
114U0041	Optyma DACC RX H0695.1A4/E2H	119-8979	2	119-8980	16	119-8958	4	119-8992	1	119-8993	1
114U0042	Optyma DACC RX H1025.1A4/E2H	119-8979	3	119-8981	18	119-8960	4	119-8992	1	119-8993	1
114U0043	Optyma DACC RX H1200.1A4/E2H	119-8979	4	119-8982	18	119-8962	4	119-8992	1	119-8993	1

Electric Defrost - 60 Hz - 4 FPI

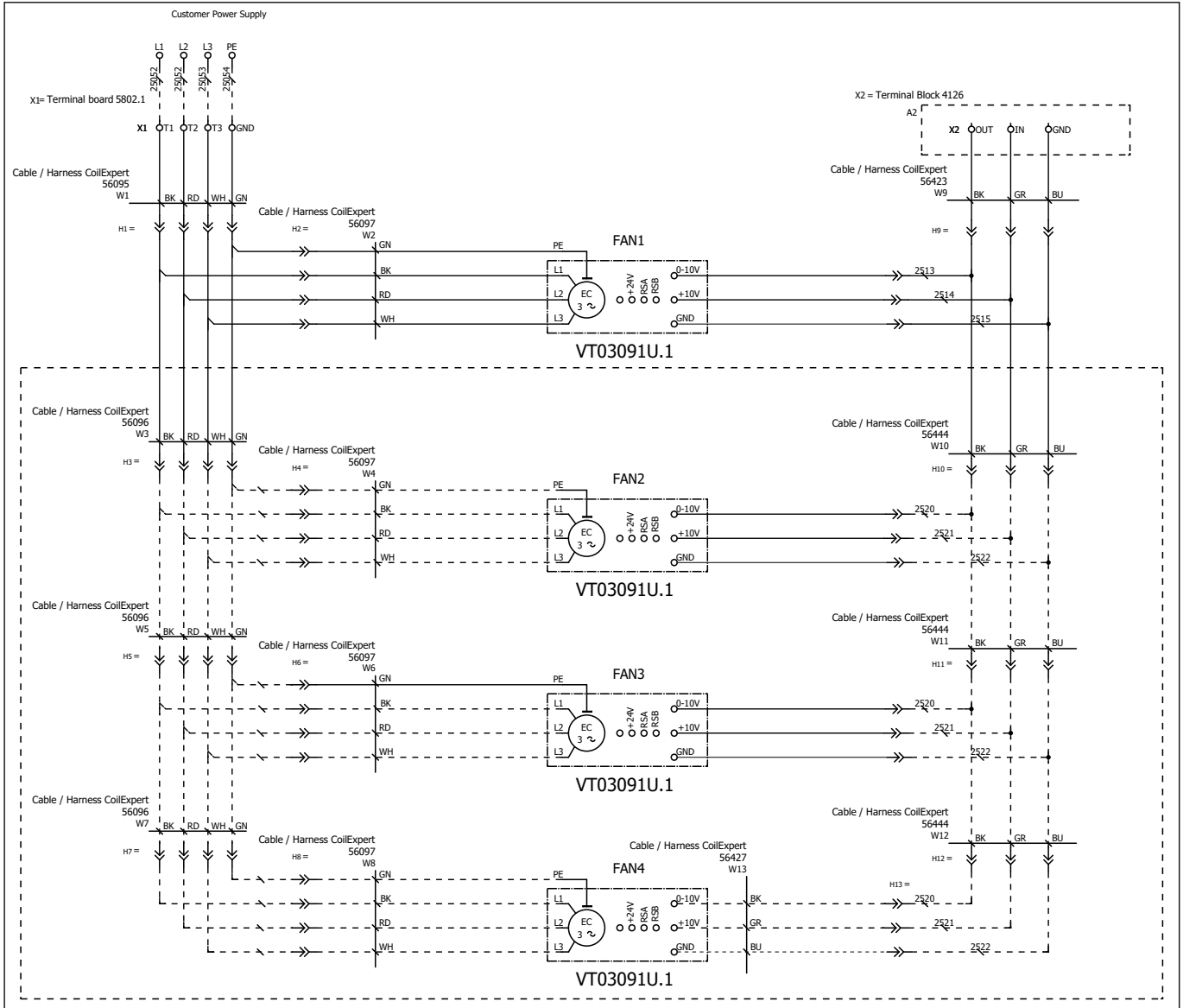
Code Number	Nomenclature	Fan		Coil Heater		Tray Heater		Evaporator Protection			
								DTFD ⁽¹⁾		HL ⁽²⁾	
		Code	Quantity	Code	Quantity	Code	Quantity	Code	Quantity	Code	Quantity
114U0044	Optyma DACC RX H0615.1A6/E2H	119-8979	2	119-8980	12	119-8958	4	119-8992	1	119-8993	1
114U0045	Optyma DACC RX H0920.1A6/E2H	119-8979	3	119-8981	14	119-8960	4	119-8992	1	119-8993	1
114U0046	Optyma DACC RX H1100.1A6/E2H	119-8979	4	119-8982	12	119-8962	4	119-8992	1	119-8993	1

⁽¹⁾DTFD = Defrost Time Fan Delay

⁽²⁾HL = Heat Limit Protection

High Profile Unit Coolers Wiring diagram

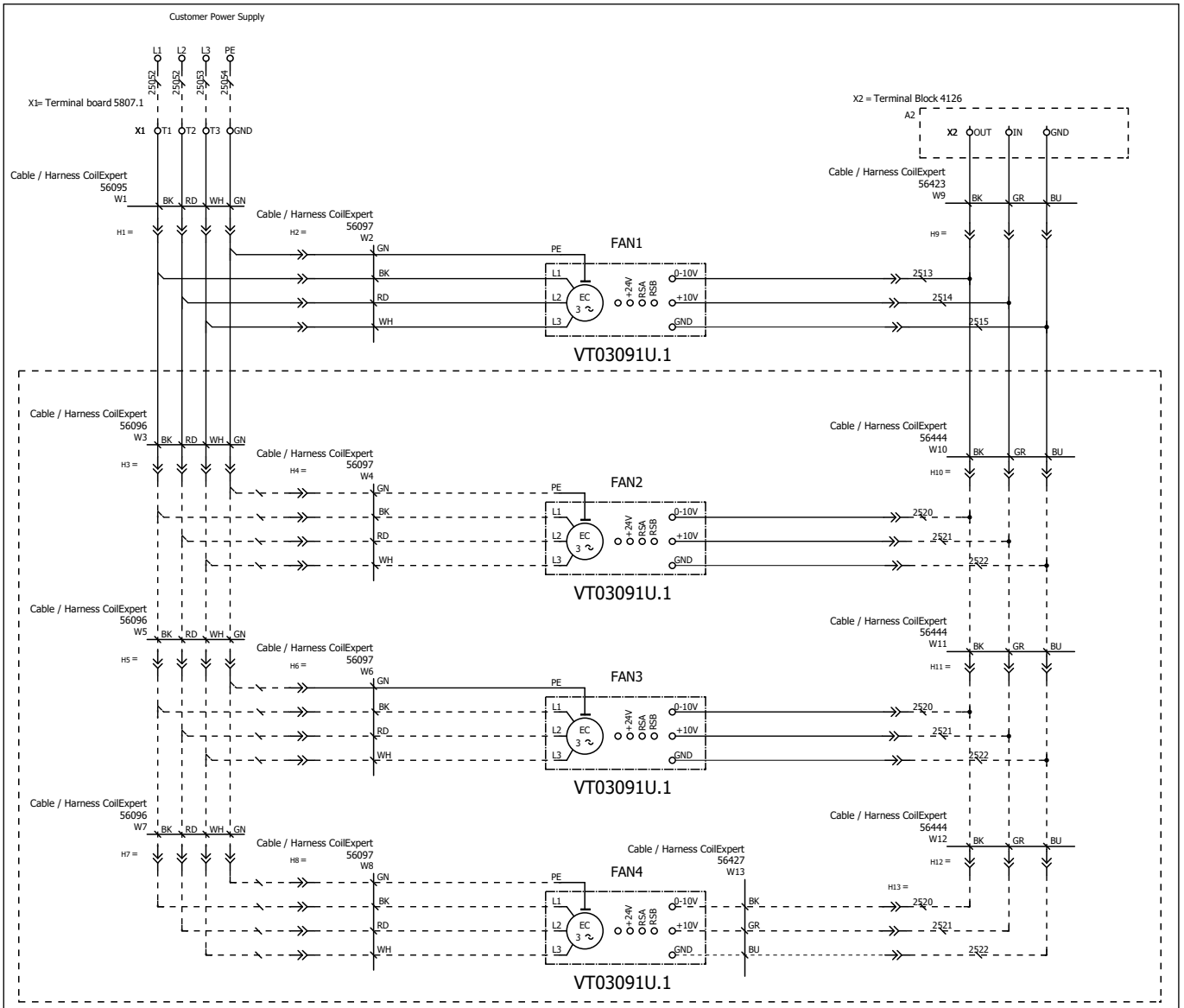
Air defrost



Fan quantity depends on unit model

High Profile Unit Coolers Wiring diagram

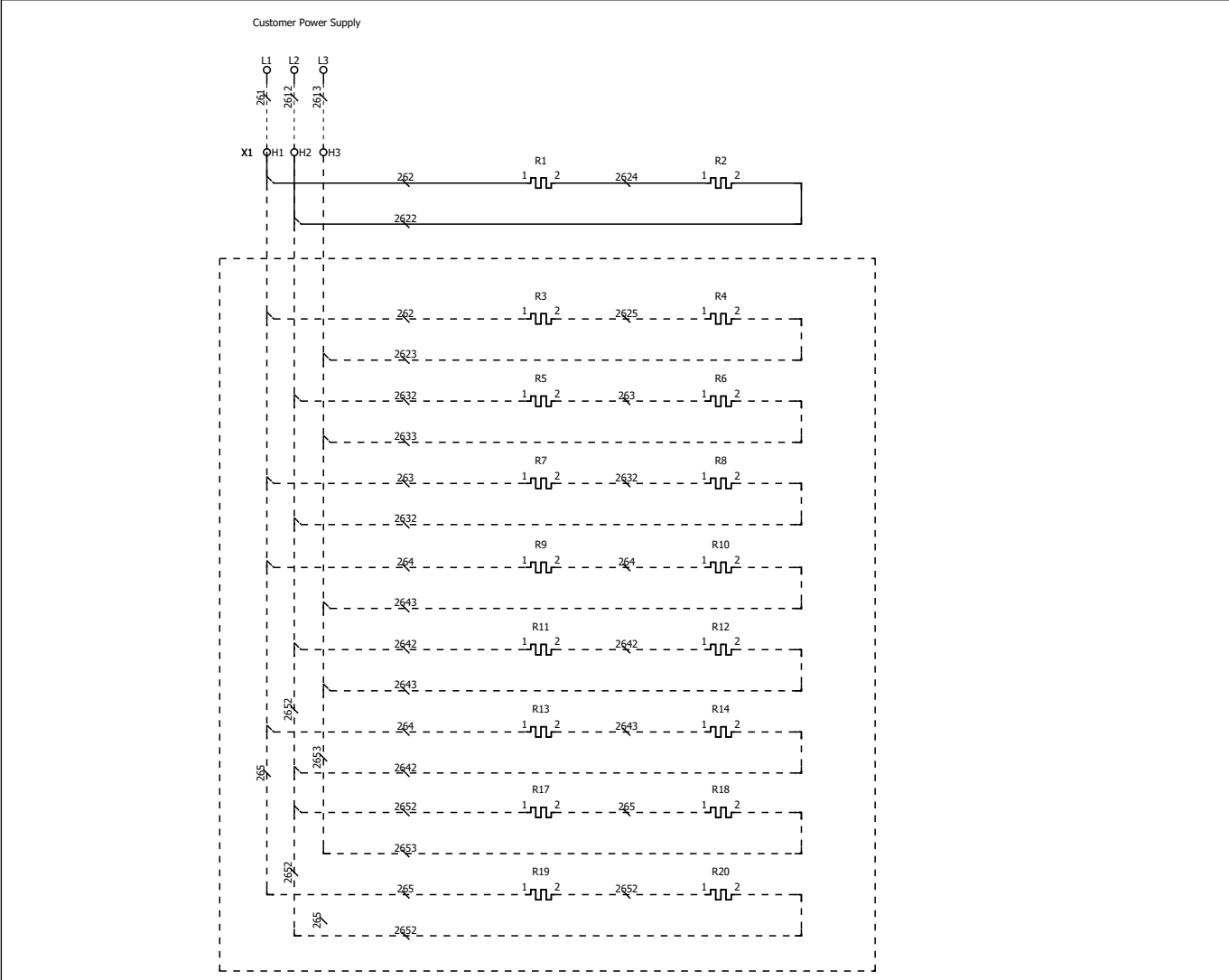
Electrical defrost



Fan quantity depends on unit model

High Profile Unit Coolers Wiring diagram

Electrical defrost



Heaters quantity depends of unit model

Danfoss Commercial Compressors

is a worldwide manufacturer of compressors and condensing units for refrigeration and HVAC applications. With a wide range of high quality and innovative products we help your company to find the best possible energy efficient solution that respects the environment and reduces total life cycle costs.

We have 40 years of experience within the development of hermetic compressors which has brought us amongst the global leaders in our business, and positioned us as distinct variable speed technology specialists. Today we operate from engineering and manufacturing facilities spanning across three continents.



Our products can be found in a variety of applications such as rooftops, chillers, residential air conditioners, heatpumps, coldrooms, supermarkets, milk tank cooling and industrial cooling processes.



Danfoss A/S
Climate Solutions • danfoss.us • +1 888 326 3677 • heating.cs.na@danfoss.com

Any information, including, but not limited to information on selection of product, its application or use, product design, weight, dimensions, capacity or any other technical data in product manuals, catalogues descriptions, advertisements, etc. and whether made available in writing, orally, electronically, online or via download, shall be considered informative, and is only binding if and to the extent, explicit reference is made in a quotation or order confirmation. Danfoss cannot accept any responsibility for possible errors in catalogues, brochures, videos and other material. Danfoss reserves the right to alter its products without notice. This also applies to products ordered but not delivered provided that such alterations can be made without changes to form, fit or function of the product.
All trademarks in this material are property of Danfoss A/S or Danfoss group companies. Danfoss and the Danfoss logo are trademarks of Danfoss A/S. All rights reserved.