



OWNER'S & INSTALLATION MANUAL

Thank you for purchasing this ecox product
Before using this machine, please read this manual and retain it for future reference.

FM

115V / 220V



AIR CURTAIN FM

Register your product at
www.ecoxline.com



THE OPERATION PRINCIPLE AND USE

The purpose of the Ecox air curtains is to provide an air barrier at high speed that helps to hold dust, insects and external air and prevents cool or warm air to exit the room, so it works both during summer or winter times.

Air curtains release an airburst door wide. They are easy to install and are recommended for shops or industries that normally operate with the doors open and where either the cool or the warm air in the room would like to be preserved. This is reflected in energy savings and energy efficiency since the air-conditioned spaces with cooling or heating equipment do not lose effectiveness while doors are open.

These are positioned horizontally over the door(s) to release the air towards the floor.

PRECAUTIONS AND SUGGESTIONS:

- Keep running condition your unit performing at least every six months clean the filters, coils and fans.

OPERATION:

- To achieve an optimum operation they should not be installed over 3 mts. (9.84 ft.) from the floor.
- They should exceed the door width at least 5 cm/2 in on each side.
- Keep air grills away from obstructions.
- Be sure electrical connections are installed correctly.
- The unit should be properly fixed to the wall or roof in order to prevent from vibrating or become loose with time.

CHARACTERISTICS:



LESS VIBRATION



LESS NOISE



EASY INSTALLATION

- Metal structure painted white
- 2 centrifugal type speeds
- High efficiency and low consumption fans
- Direct fixing to the wall through supports
- Wireless remote control
- Performance Led indicator
- Available in: 115V and 220V
- Sizes: 90 cm – 35.4 in / 120 cm – 47.2 in / 150 cm – 59 in
- Low noise
- Compact, light and comfortable design
- Easy installation and maintenance.

MODEL SELECTION

Measure the width and height of the door where you wish to install the unit.

Select the model(s) according to the width. You may use more than one unit according to the space, as long as you keep in mind that they must match sidewise to prevent air leaks. Decide if your unit(s) should be 220v or 115V

THE USE ENVIRONMENT

| PROJECT | SPECIFICATION |
|------------------------------------|---------------------------|
| Working conditions temperature | -10°C ~ 40°C / 14°F~104°F |
| Ambient air relative humidity (%) | ≤90 |
| Altitude above sea level (m) | ≤1000 |
| Fixed supply voltage deviation (%) | ±10 |

INSTALLATION

The external dimensions and install the size:

| Model | A | B | C | D | E | F | G |
|-----------------|--------------------|------------------|-------------------|------------------|-------------------|-------------------|-------------------|
| FM-1209N-2Y-220 | 90 cm 35.43 in | 3.5cm 1.37 in | 24 cm 9.44 in | 10 cm 3.93 in | 30 cm 11.81 in | 220cm 86.61 in | 195cm 76.77 in |
| FM-1210N-2Y-220 | 100 cm 39.37 in | 3.5cm 1.37 in | 24 cm 9.44 in | 10 cm 3.93 in | 30 cm 11.81 in | 220cm 86.61 in | 195cm 76.77 in |
| FM-1212N-2Y-220 | 120 cm 47.24 in | 3.5cm 1.37 in | 30 cm 11.81 in | 10 cm 3.93 in | 42 cm 16.53 in | 220cm 86.61 in | 195cm 76.77 in |
| FM-1215N-2Y-220 | 150 cm 59.05 in | 3.5cm 1.37 in | 36 cm 14.17 in | 10 cm 3.93 in | 36 cm 14.17 in | 220cm 86.61 in | 195cm 76.77 in |
| FM-1218N-2Y-220 | 180 cm 70.86 in | 3.5cm 1.37 in | 30 cm 11.81 in | 10 cm 3.93 in | 42 cm 16.53 in | 220cm 86.61 in | 195cm 76.77 in |
| FM-1220N-2Y-220 | 200 cm 78.74 in | 3.5cm 1.37 in | 36 cm 14.17 in | 10 cm 3.93 in | 36 cm 14.17 in | 220cm 86.61 in | 195cm 76.77 in |

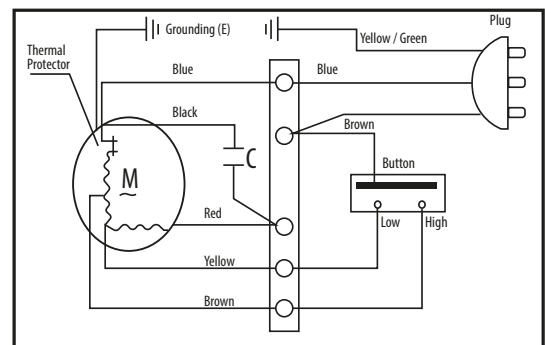
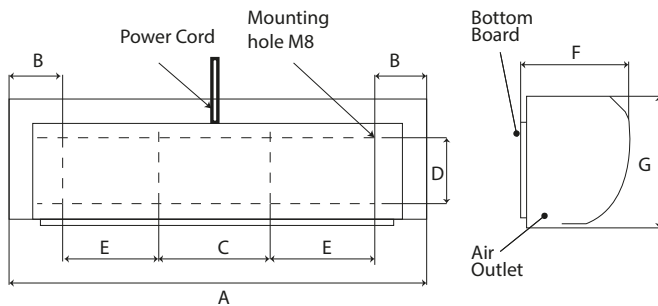
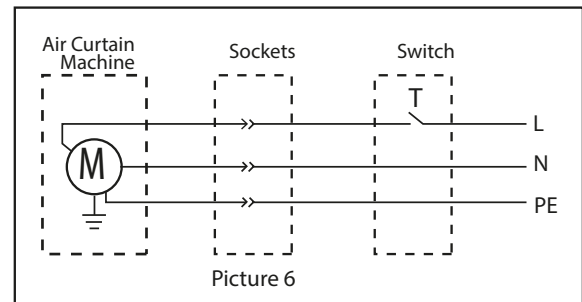
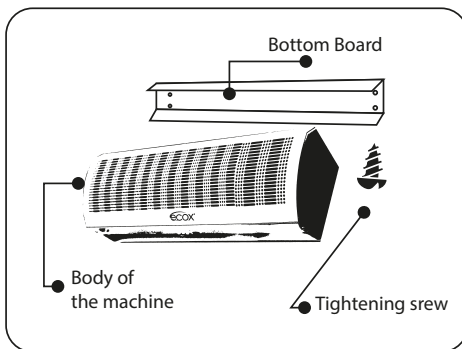
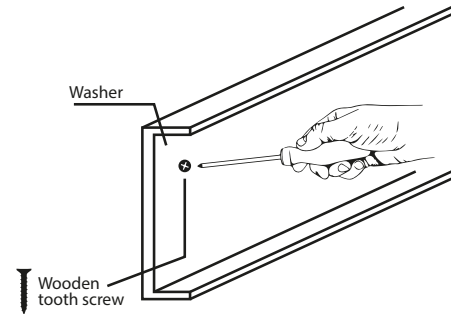
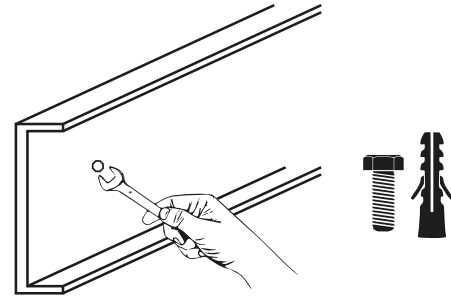
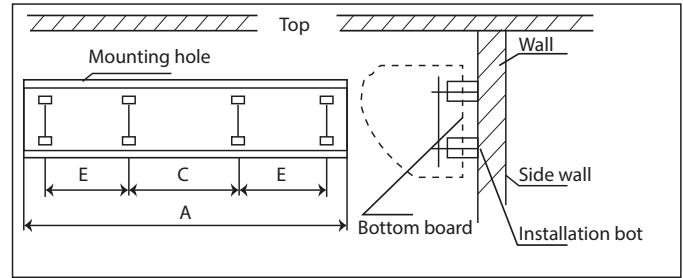
| Model | A | B | C | D | E | F | G |
|-------------|--------------------|------------------|-------------------|------------------|-------------------|-------------------|-------------------|
| FM-1209N-2Y | 90 cm 35.43 in | 3.5cm 1.37 in | 24 cm 9.44 in | 10 cm 3.93 in | 30 cm 11.81 in | 220cm 86.61 in | 195cm 76.77 in |
| FM-1210N-2Y | 100 cm 39.37 in | 3.5cm 1.37 in | 24 cm 9.44 in | 10 cm 3.93 in | 30 cm 11.81 in | 220cm 86.61 in | 195cm 76.77 in |
| FM-1212N-2Y | 120 cm 47.24 in | 3.5cm 1.37 in | 30 cm 11.81 in | 10 cm 3.93 in | 42 cm 16.53 in | 220cm 86.61 in | 195cm 76.77 in |
| FM-1215N-2Y | 150 cm 59.05 in | 3.5cm 1.37 in | 36 cm 14.17 in | 10 cm 3.93 in | 36 cm 14.17 in | 220cm 86.61 in | 195cm 76.77 in |
| FM-1218N-2Y | 180 cm 70.86 in | 3.5cm 1.37 in | 30 cm 11.81 in | 10 cm 3.93 in | 42 cm 16.53 in | 220cm 86.61 in | 195cm 76.77 in |
| FM-1220N-2Y | 200 cm 78.74 in | 3.5cm 1.37 in | 36 cm 14.17 in | 10 cm 3.93 in | 36 cm 14.17 in | 220cm 86.61 in | 195cm 76.77 in |

Only an approved and authorized technician should install units.

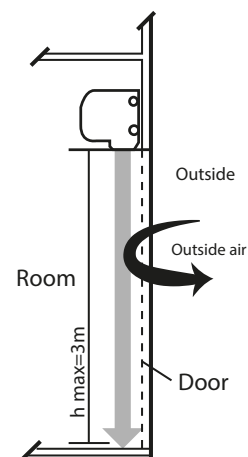
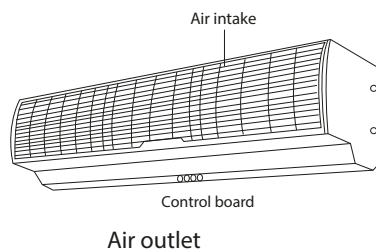
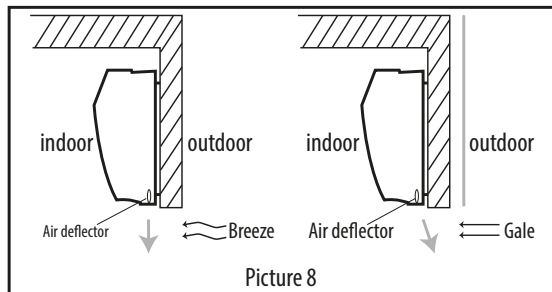
- Units should be installed horizontally at the top and as close as possible to the door, not only covering the door's width but exceeding 5 cm/2 in on each side.
- To achieve a maximum effectiveness of the air outlet grill, it should be kept away from obstructions.
- The wall or roof where the unit is to be installed should be strong enough to hold the weight of the equipment while operating.
- Be sure wires and terminals are adequate for the air curtain model you chose.

When installing, please follow these steps:

- 1** Place the curtain in the position and place you want to install it and mark on the wall the points where to drill the holes.
- 2** To achieve the best efficiency and to prevent equipment malfunction, you should keep a minimum distance from the top of the equipment to the roof of 90 cm / 35 in.
- 3** Fix the base to the wall using concrete, plaster or wooden walls ram plugs, depending in your case, and fastening it securely with screws preventing the unit from moving or swinging during operation.
- 4** Perform the electrical work.
- 5** Complete unit installation after placing the base.



DIRECCIONAMIENTO DEL AIRE



THE TECHNOLOGY PARAMETER

| MODEL | ITEM | RATED VOLTAGE (V) | RATED FREQUENCY (Hz) | MAX INPUT POWER (W) | MAX INPUT FLOW (m ³ /h) | MAX WIND SPEED (m ³ /h) | NOISE (dB) | N.W. (Kg) | FUSELAGE SIZE (mm) | EFFECTIVE HEIGHT (m) |
|-----------------|------|-------------------|----------------------|---------------------|------------------------------------|------------------------------------|------------|-----------|--------------------|----------------------|
| FM-1209N-2Y-220 | | 220 | 60 | 150 | 1200 | 11 | ≤58 | 13 | 900x220 x195 | 2.5-3 |
| FM-1210N-2Y-220 | | 220 | 60 | 170 | 1350 | 11 | ≤58 | 14 | 1000x220 x195 | 2.5-3 |
| FM-1212N-2Y-220 | | 220 | 60 | 180 | 1700 | 11 | ≤59 | 18 | 1200x220 x195 | 2.5-3 |
| FM-1215N-2Y-220 | | 220 | 60 | 220 | 2100 | 11 | ≤59 | 21.5 | 1500x220 x195 | 2.5-3 |
| FM-1218N-2Y-220 | | 220 | 60 | 280 | 2500 | 11 | ≤60 | 25 | 1800x220 x195 | 2.5-3 |
| FM-1220N-2Y-220 | | 220 | 60 | 320 | 2750 | 11 | ≤61 | 28 | 2000x220 x195 | 2.5-3 |
| FM-1209N-2Y | | 115 | 60 | 150 | 1200 | 11 | ≤58 | 13 | 900x220 x195 | 2.5-3 |
| FM-1210N-2Y | | 115 | 60 | 170 | 1350 | 11 | ≤58 | 14 | 1000x220 x195 | 2.5-3 |
| FM-1212N-2Y | | 115 | 60 | 180 | 1700 | 11 | ≤59 | 18 | 1200x220 x195 | 2.5-3 |
| FM-1215N-2Y | | 115 | 60 | 220 | 2100 | 11 | ≤59 | 21.5 | 1500x220 x195 | 2.5-3 |
| FM-1218N-2Y | | 115 | 60 | 280 | 2500 | 11 | ≤60 | 25 | 1800x220 x195 | 2.5-3 |
| FM-1220N-2Y | | 115 | 60 | 320 | 2750 | 11 | ≤61 | 28 | 2000x220 x195 | 2.5-3 |

SERVICE AND MAINTENANCE

Even though Ecox air curtains are designed so they require very low and easy maintenance, it is recommended to perform it the following way and periodicity:

- 1 Monthly (by the user): clean and eliminate dust and/or dirt, check and clean the air filter.
- 2 Annual (by a certified technician): check electrical and mechanical systems, look for unusual noises that could come from fans maladjustments, etc.

Attention: Like the supply cord damage, for avoids the danger, must replaces by this company special maintenance point or the specialist.